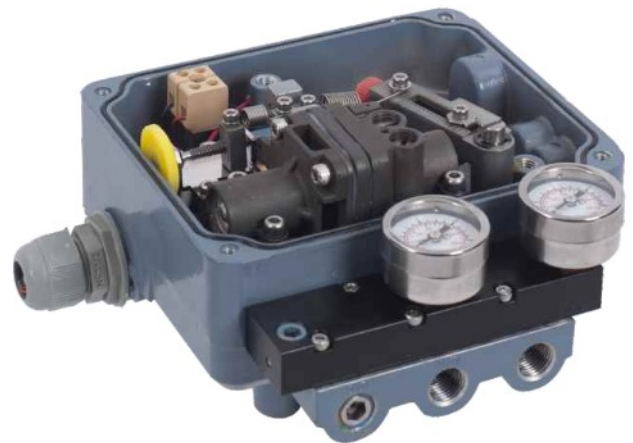


ELECTRO-PNEUMATIC POSITIONER RTX1000

FEATURES

- Special low pressure diaphragm direct acting valve ensures quick and precise response to minor changes in signal pressure
- Low hysteresis increases overall efficiency
- Excellent performance under vibration up to 4g (3mm amplitude)
- High life of diaphragm and zero maintenance
- Compact design, rugged construction with a rigid ISO 5211 mounting
- Wide range of zero and span adjustment for easy and precise calibration
- Stable, fast and accurate response with change in supply pressure due to unique poppet and diaphragm valve design
- All internal parts are hard anodized
- Split range control can be easily adopted by change in few internal parts
- Simple to convert from direct acting to reverse acting or vice versa
- Orifice option prevents from hunting and also for controlling speed
- Bright visual indicator on both flat and high dome type positioners
- Internal and external mounting of the position transmitter and limit switch available
- Internal circuit of the positioner is highly corrosion resistant as no part (metal plate) is exposed
- IP 66 protection
- CE certified



TORQUE MOTOR

- High performance Nickel flapper
- Unique rocker mechanism to give low dead band
- Non sliding parts



HIGHLY BALANCED SPRING MECHANISM

- High repeatability and linearity
- Critically designed springs avail a wide range of zero and span setting



ADAPTABILITY

- Positioner can be easily converted from direct acting to reverse acting and vice versa
- SS cam for long life
- Unique clamping mechanism

ELECTRO-PNEUMATIC POSITIONER

RTX1000

TECHNICAL SPECIFICATIONS

TYPE	LINEAR		ROTARY	
	Single Acting	Double Acting	Single Acting	Double Acting
Operation	Single Acting	Double Acting	Single Acting	Double Acting
Supply Pressure	0.3 bar above actuator requirement (minimum 1.4 bar and maximum 7 bar)			
Input Signal	4 to 20 mA DC constant current with maximum 30 VDC			
Stroke	10-150 mm		0-90°	
Air Connection	1/4" BSP / NPT			
Explosion Proof	ATEX			
Protection	IP 66			
Cam	Equal / Square / Square Root			
Ambient Temperature	-40 °C to +120 °C, see ordering code			
Linearity	± 1%	± 2%	± 1%	± 2%
Hysteresis	± 1%	± 1%	± 1%	± 1%
Sensitivity	± 0.2%	± 0.5%	± 0.5%	± 0.5%
Repeatability	± 0.5%	± 0.5%	± 0.5%	± 0.5%
Internal Bleeding	3 lpm (supply pressure 1.4 kgf / cm ²), 11 lpm (supply pressure 4.0 kgf / cm ²)			
Flow Capacity	80 lpm (supply pressure 1.4 kgf / cm ²), 200 lpm (supply pressure 4.0 kgf / cm ²)			
Material	Aluminium Die Casting			
Weight	2.9 Kg	2.9 Kg	3 Kg	3 Kg

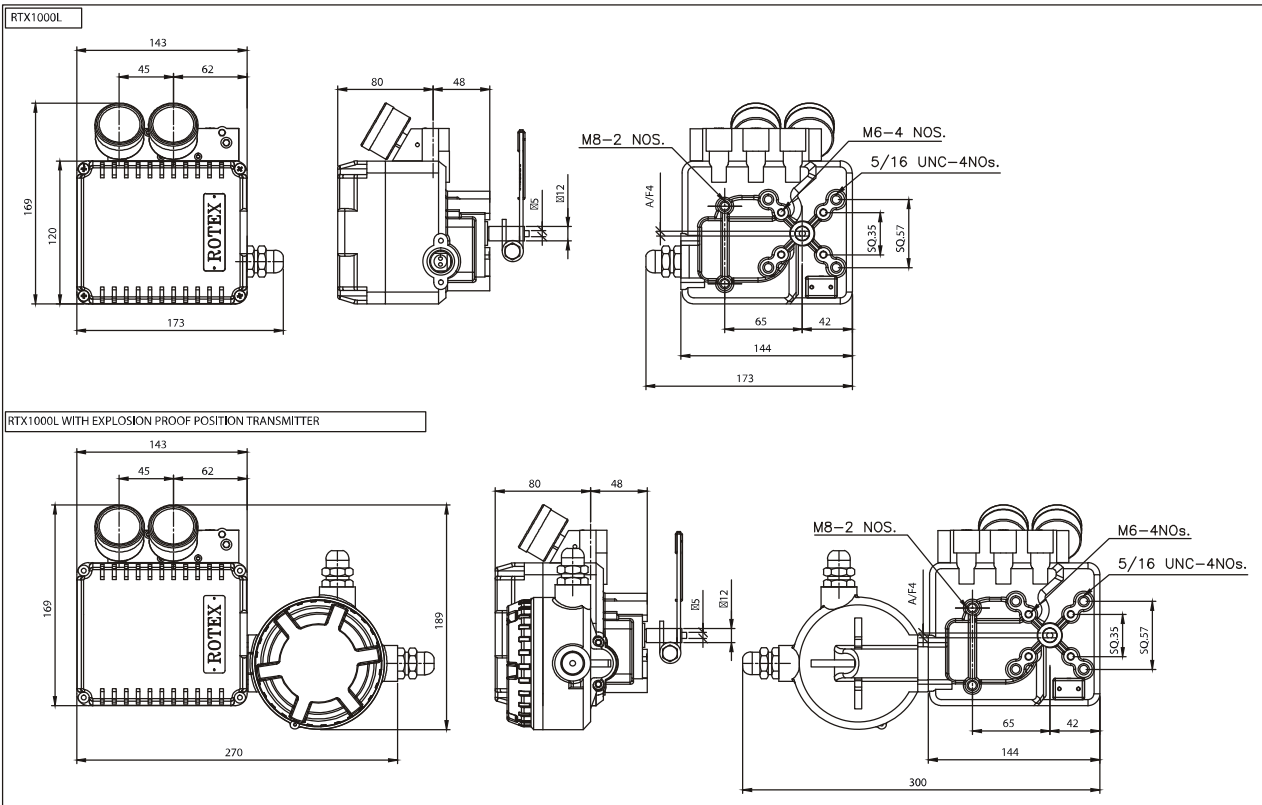
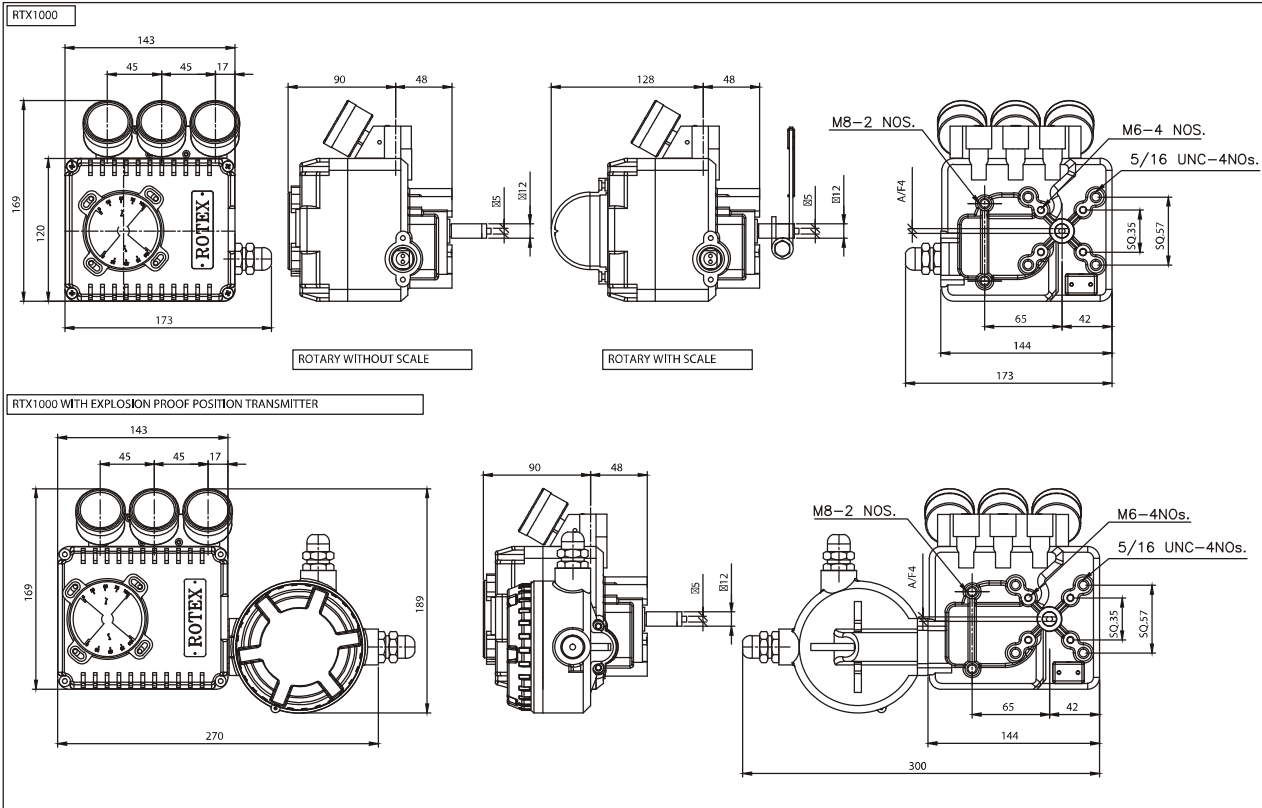
BUILT IN SMART TRANSMITTER



ELECTRO-PNEUMATIC POSITIONER

RTX1000

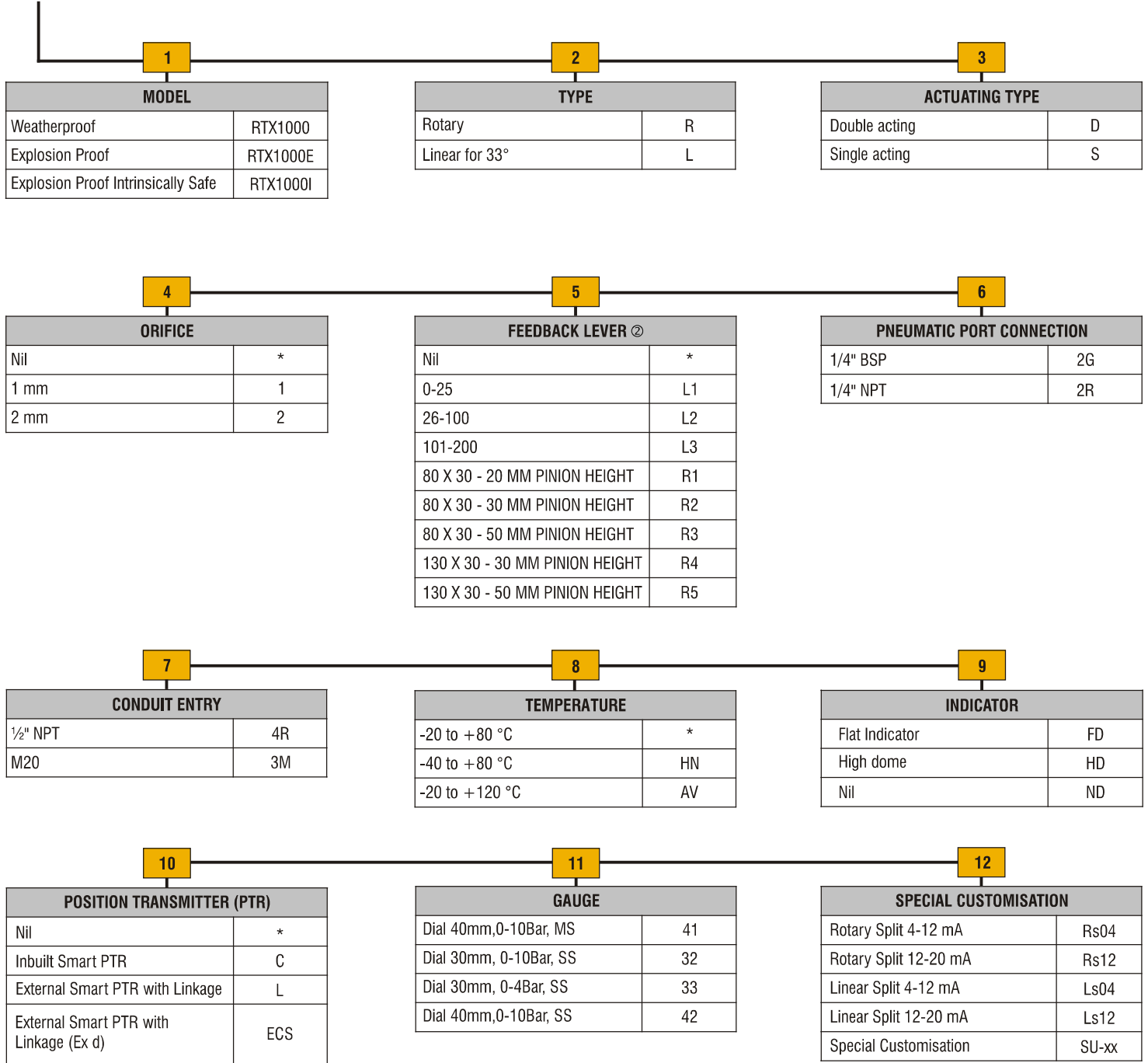
DIMENSION DETAILS



ELECTRO-PNEUMATIC POSITIONER

RTX1000

ORDERING CODE



NOTE

* Default

① For this model temperature will be -20 °C to +80 °C

② L1 to L3 applicable for type "L" models only and R1 to R5 applicable for type "R" models only.

For any special requirement please coordinate with factory, ordering code for special will be MODEL-SUXX.