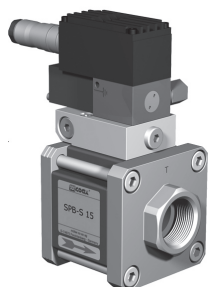
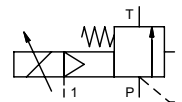


pressure limitation valve

type **SPB-S 15**



control valve proportional
pressure range PN 5-64 bar
orifice DN 15 mm
connection thread
function stepless
 pressure regulation
 bypass version



⚠ Above stated body materials refer to the valve port connections that get in contact with the media only!

design externally controlled with spring return
body materials ① ④
 ② steel, galvanized ⑤
 ③ ⑥
valve seat metal on metal
seal materials FPM, PTFE

details needed for main valve

- orifice
- port
- pressure regulating range
- flow rate
- media
- media temperature
- ambient temperature

details needed for proportional valve

- nominal voltage
- actuation pressure range min/max

ports		general specifications		options	
SPB	threads G 1	SPB	threads G 1	SAE connection	DIN ISO 6162
function	stepless regulation	pressure regulation range	bar	5-64	
Kv value	6,0	media	liquid - highly viscous - contaminated		
abrasive media		flow direction	P ⇌ T	as marked	
operating time	ms		< 900		
media temperature	°C		0 to +60		
ambient temperature	°C		0 to +50		
approvals		mounting	mounting holes		
weight	kg		2,7		
additional equipment					actuation pressure gauge

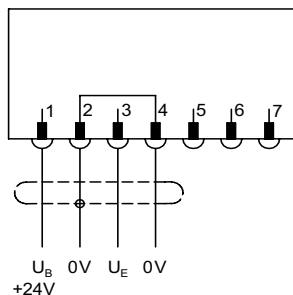
nominal voltage		electrical specifications		options	
U _B	DC 24 V (max. residual ripple 10%)	power consumption	DC	< 0,7 A	
U _E	0-10 V (R _e 100KΩ)	control signals	IP65	acc. DIN 40 050	
energized duty rating	ED	connection	100% (observe the connection conditions accordingly)		
			plug with 7 contacts / wire diameter 6-8 mm		

actuation pressure range		pneumatic specifications		options	
air consumption	bar	actuation pressure range	see actuation pressure-diagram		
control			DIN ISO 8573-1 grade of compressed air quality 5/4/3		
actuator ports	1		by 3/2-way proportional valve		
			G 1/8		

⚠ The valves' technical design is based on media and application requirements. This can lead to deviations from the general specifications shown on the data sheet with regards to the design, sealing materials and characteristics.

⚠ If order or application specifications are incomplete or imprecise there exists a risk of an incorrect technical design of the valve for the required application. As a consequence, the physical and / or chemical properties of the materials or seals used, may not be suitable for the intended application.

connection plan



connection conditions

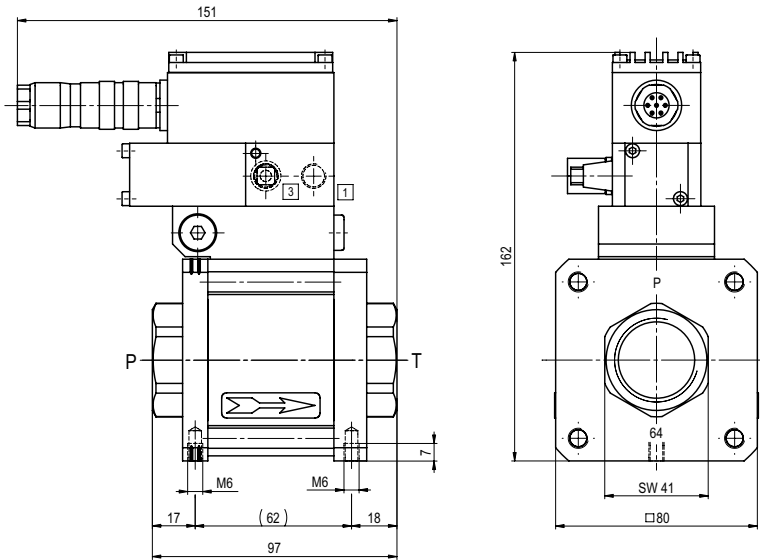
When supplying the electrical set point signal to the proportional valve, the actuating air must already be present. (see actuation pressure-diagram)

position of installation

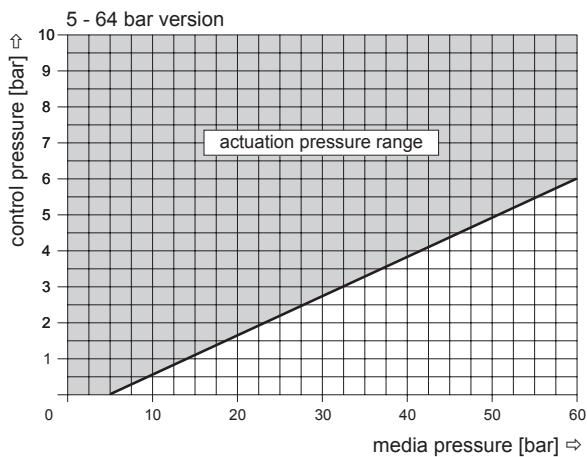
arbitrarily, but regulator not downwards

■ specifications not highlighted are standard
 ■ specifications highlighted in grey are optional

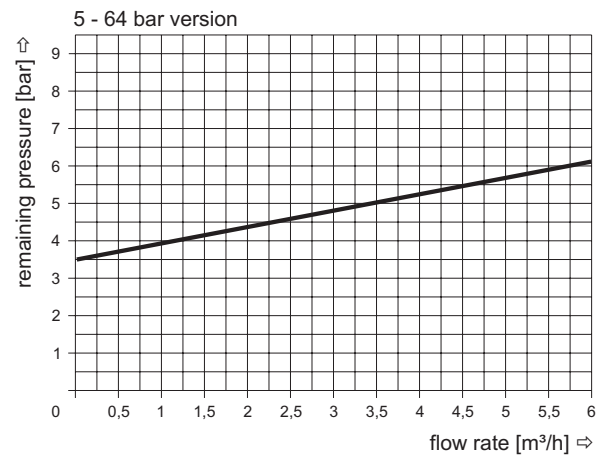
type **SPB-S 15**



actuation pressure-diagram



pressureless circulation mode



Sound creation during low pressure circulation mode and flow $Q=6 \text{ m}^3/\text{h}$: ca. 70 dbA

The application-specific layout relating to temperature, pressure conditions, switching behavior, media and its consistency may restrict the range of use or necessitate relevant modifications to materials used and seal arrangements.

Rights reserved to make technical alterations • Not responsible for printing errors • Detailed drawings can be obtained upon request