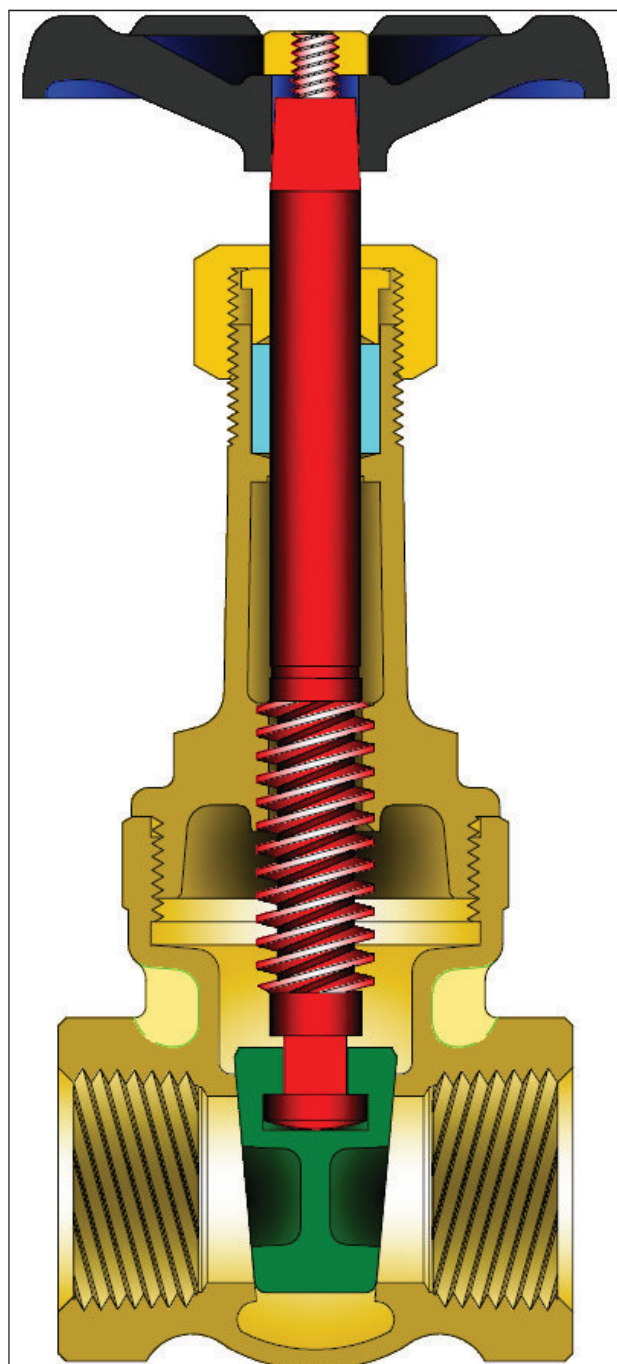




MSS SP-80 GATE VALVE
 THREADED BONNET, THREADED ENDS
 GATE ¼ TO 3" (6 TO 75mm) CLASSES 125 AND 150
 BRONZE RISING STEM



STANDARD MATERIALS

PART	MATERIALS
Body	B62
Bonnet	B62
Wedge	B62
Stem	B371 C69400
Packing Nut	B124 C37700
Gland	B124 C37700
Packing	Graphite
Hand Wheel	Ductile Iron
Hand Wheel Nut	Brass
Wheel Plate	Aluminum

Design Specifications

Item	Applicable Specification
Pressure - temperature ratings	MSS SP-80
General valve design	MSS SP-80
Thread design	ASME B1.20.1
Materials	ASTM

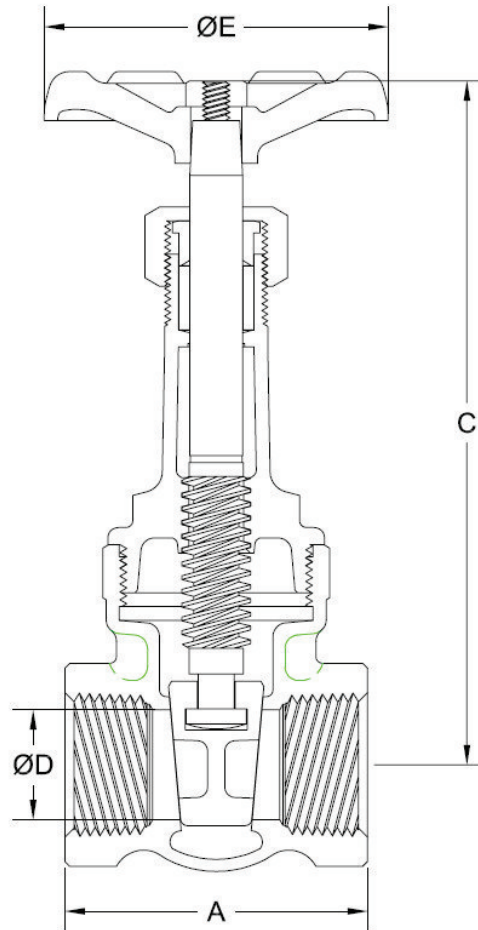
DESIGN FEATURES:

- **Renewable** solid wedges.
- **Integral** seats.
- **High-Tensile** bronze alloy stems.
- **Each** valve is shell and seat pressure tested per industry standard MSS SP-80

Class	Fig. No.
125	500
150	514

GATE VALVE DIMENSIONS (CLASSES 125 & 150).

SIZE	FIG 500 & 514					
	A	C	D	E	WT	C _v
in						lb
mm						kg
¼	1.81	5.0	0.25	2.5	0.9	3.2
6	46	128	6	64	0.4	
⅜	1.81	5.0	0.38	2.5	0.9	7.1
10	46	128	10	64	0.4	
½	2.00	5.1	0.50	2.5	1.0	12.6
13	51	130	13	64	0.5	
¾	2.19	6.3	0.75	2.8	1.5	30
20	56	159	19	70	0.7	
1	2.50	7.5	1.00	3.0	2.3	55
25	64	190	25	77	1.0	
1¼	2.81	8.7	1.25	3.3	3.6	87
32	72	222	32	83	1.6	
1½	2.94	9.8	1.50	3.6	4.8	129
40	74	250	38	92	2.2	
2	3.31	11.9	2.00	4.1	7.1	240
50	84	303	51	103	3.2	
2½	4.13	14.6	2.50	5.1	14.0	350
65	105	370	64	130	6.4	
3	4.44	16.5	3.00	5.7	19.1	510
75	112	420	76	145	8.7	



C = Center to top open

WT = Weight

C_v = Flow Coefficient