

5/2 INTERNAL PILOT OPERATED, INLINE DOUBLE SOLENOID VALVE



HORIZONTAL CABLE ENTRY
ALUMINIUM CAST ENCLOSURE
WEATHER PROOF Type 16, 19
EXPLOSION PROOF Type 58, 58LT, 67



MULTI PIN CONNECTOR
STEEL ENCLOSURE
WEATHER PROOF Type 70



HORIZONTAL CABLE ENTRY
STAINLESS STEEL CAST ENCLOSURE
WEATHER PROOF Type 16-CO, 19-CO,
EXPLOSION PROOF Type 58-CO, 58LT-CO,
37-CO, 39-CO, 67-CO



DIN PLUG CONNECTOR
MOULDED ENCLOSURE
WEATHER PROOF Type 22



HORIZONTAL CABLE ENTRY
ALUMINIUM CAST ENCLOSURE
EXPLOSION PROOF Type 37, 39



DIN PLUG CONNECTOR
STEEL ENCLOSURE
WEATHER PROOF Type 25
EXPLOSION PROOF Type 65CR



BOTTOM CABLE ENTRY
ALUMINIUM CAST ENCLOSURE
WEATHER PROOF Type 17
EXPLOSION PROOF Type 87, 62, 66, 71



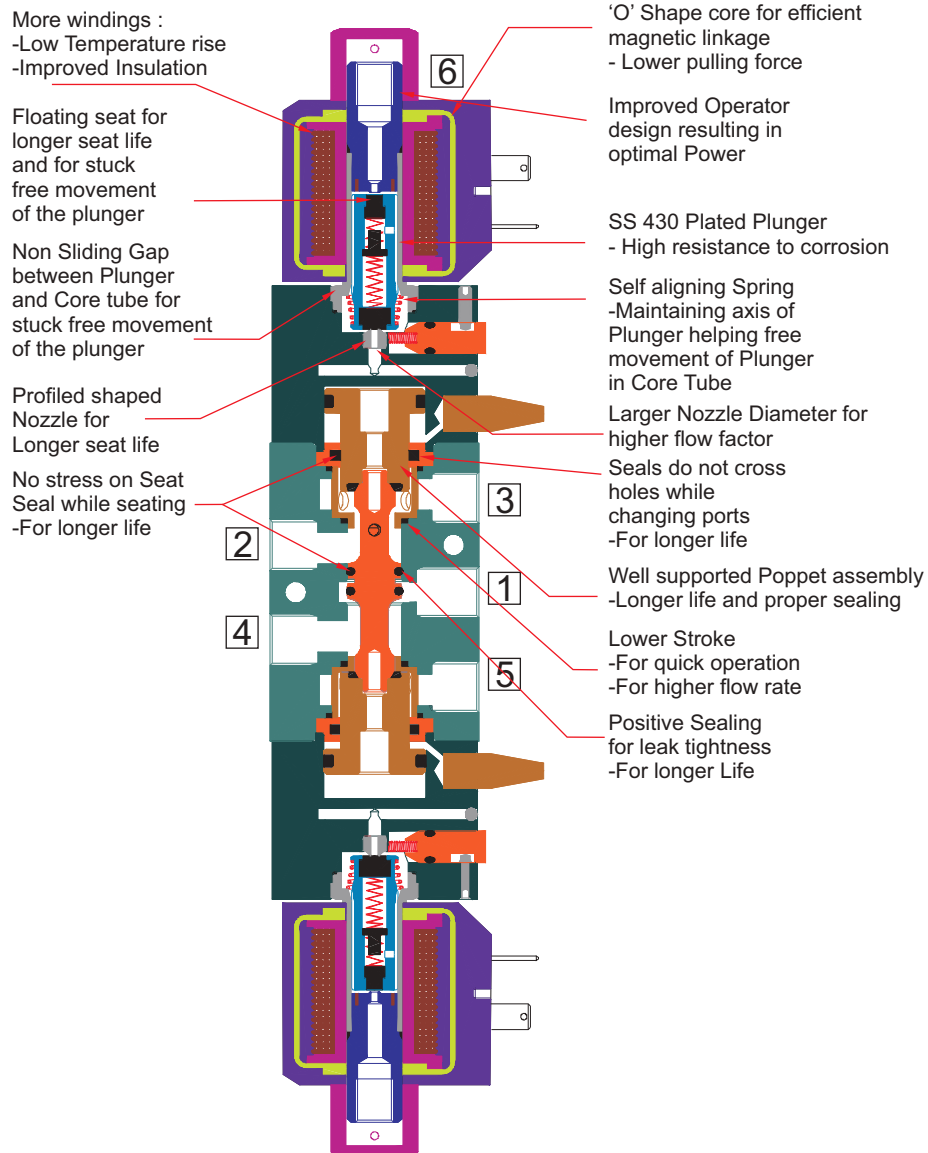
BOTTOM CABLE ENTRY
STAINLESS STEEL CAST ENCLOSURE
WEATHER PROOF Type 17-CO
EXPLOSION PROOF Type 87-CO, 62-CO,
66-CO, 71-CO

**Interchangeable across
Voltage/ Current range without
affecting performance of the Valve**

5/2 INTERNAL PILOT OPERATED, INLINE DOUBLE SOLENOID VALVE

FEATURES

- Bubble tight shut OFF
- Can be used as 3/2 NC/ NO by plugging port 4/2
- Ideally suited where speed control by blocking exhaust is desired
- Non return plug provided on the exhaust port
- Suitable for high speed cycling, speed upto 500 cycles/ min
- Life >20 million cycles



WEIGHT IN kg. (Appx.)

Valve

Orifice - Port Connection	Al	Brass	SS316
6-2G/ 2R	1.00	2.50	2.25
12-3G/ 3R/ 4G/ 4R	1.80	4.70	4.85
25-6G/ 6R/ 8G/ 8R	5.50	6.00	13.25
40-12G/ 12R	-	-	25.70
50-16G/ 16R	-	-	68.00

Solenoid

Type	Size		Type	Size	Enclosure	
					Al	SS
25, 65CR	I	0.25	16, 19, 37,	I	0.55	1.20
	II	0.45	39, 58,	II, IV	0.85	1.70
	III	0.40	58LT, 67	III	0.60	1.50
	IV	0.50	17, 62, 66,	II, IV	1.00	1.65
			71, 87	III	0.90	1.50

VOLTAGE VARIATION

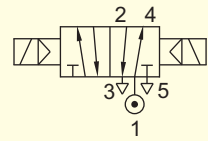
(For Continuous Duty)

Rated Voltage	Operating Voltage
6	4.8V to 7.2V
12	9.6V to 14.4V
24	19.2V to 28.8V
48	38.4V to 57.6V
110 to 120	88V to 132V
220/ 230/ 240	176V to 264V
256	205V to 280V

SERIES : 52S

5/2 INTERNAL PILOT OPERATED, INLINE DOUBLE SOLENOID VALVE

TYPE	PRESSURE
57440	2 - 10 bar
57441	2 - 16 bar
57440LW	2 - 10 bar
P5006	2 - 10 bar
P5012	2 - 8 bar
I5006	2 - 10 bar
I5006RP	2 - 8 bar



WETTED PARTS

Code	※	B2	B5	B17	B12
Body	Anodized Aluminium	Brass	SS 316	Brass Forged	CF8M (SS316 Cast)
Internals	Aluminium, Brass and SS 316	Brass and SS 316	SS 316	Brass CF8M	CF8M
Guide	SS 304				
Shadow-Ring	Copper/ None				
Plunger, Insert	SS 430				
Spring	SS 302				
Fasteners	SS 304				
Seat, Seals	NBR, Viton, F.Silicon				



APPLICATION

Operation of double acting Cylinder/ Actuator

POWER

Type	Power		Ex ia				
	Normal	Low	6W/ 8W	2W	1.8W	1W	0.4W
57440, 57440A, 57441	P5006	P5006	57440LW	P5006, P5012	57440, 57440A	I5006, I5006RP	
Size	I/ III	I/ III	IV	IV	III	III/ IV	III

SPARES

SPARE KIT	CODE
Seal Kit : Oring Set (Only for Intrinsically Safe Valve)	P98
Seal Kit : Oring Set and Plunger Assembly	98
Repair Kit : All Components except Body Cover and Solenoid	99
Repair Kit : All Components except Body and Solenoid (for Intrinsically Safe Valve)	99
Solenoid Kit : Solenoid, Gasket and Nut	34

PORT CONNECTION

VALVE TYPE	MODE	PORT CONNECTION					
		INLET	OUTLET	OUTLET	EXHAUST	EXHAUST	PILOT EXHAUST
57440, 57441, 57440A, P5006, P5012, 57440LW, I5006, I5006RP	Double Solenoid	1	2	4	3	5	6

Contact Rotex for
 • Any other Temperature Range, Media and Application

5/2 INTERNAL PILOT OPERATED, INLINE DOUBLE SOLENOID VALVE

SPECIFICATION

VALVE		SOLENOID	
Valve Type	5/2 Internal pilot operated, Inline Double solenoid valve	Voltage-Current	DC 12V, 24V, 48V, 110V, 220V, 256V AC (50Hz/ 60Hz) 24V, 110V, 120V, 230V, 240V
Body Material	Aluminium/ Brass/ Stainless Steel 316/ Brass forging/ CF8M	Power	8W/ 6W/ 2W/ 1.8W/ 1W/ 0.4W
Port Connection	1/4", 3/8", 1/2", 3/4", 1", 1 1/2", 2"	Protection	Weather Proof IP67 Explosion Proof Ex d, Ex ia, Ex e mb, IIC, T6/ T5/ T4 IP67
Orifice	6mm/ 12mm/ 25mm/ 40mm/ 50mm	Cable Entry	Pg 9 / M20X1.5/ 1/2" NPT/ M25X1.5
Seals	NBR/ Viton/ F.Silicon		
Manual Override	Stayput/ Momentary/ Without Manual Override		
Flow factor Orifice-kv/ Kv/ Cv	6mm-12/ 0.72/ 0.84 12mm-50/ 3/ 3.5 25mm - 110/6.6/7.7 (Port 3/4") 25mm - 110/6.6/7.7 (Port 1") 40mm-410/ 25/ 29 50mm-650/ 39/ 45		
Media	Air/ Inert Gas		
⑬ Ambient, Fluid Temperature	-25 °C to 75 °C, Optionally -60 °C to 170 °C		
Response ON/ OFF	≤ 50ms / ≤ 90ms		
Pressure	2-8 bar, 2-10 bar, 2-11 bar, 2-16 bar		

ORDERING CODE Solenoid Valve (Valve Code + Solenoid Code)

VALVE TYPE 57440A	-	SIL SL	-	SUFFIX SO	-	ORIFICE 6	-	PORT CONNECTION 2R	-	BODY INTERNAL B5	-	MANUAL OVERRIDE M0	-	SEAL S2G	-	⑰ MEDIA *
ACCESSORIES VALVE, PORT A3	+	SIZE III	-	VOLTAGE, CURRENT 24V DC	-	ENCLOSURE 16	-	⑦ MTL CO	-	SPECIAL *	-	POWER *	-	INSULATION H	-	APPROVAL CE
SIL SL	-	ACCESSORIES SOLENOID B4														

ORDERING CODE Valve Spare Kit

SPARE KIT 99	-	VALVE TYPE 57440A	-	SIL SL	-	SUFFIX SO	-	ORIFICE 6	-	PORT CONNECTION 2R	-	BODY INTERNAL B5	-	MANUAL OVERRIDE M0
SEAL S2G	-	ACCESSORIES VALVE, PORT A3												

ORDERING CODE Spare Solenoid

SOLENOID KIT 34	-	SIZE III	-	VOLTAGE, CURRENT 24V DC	-	ENCLOSURE 16	-	⑦ MTL CO	-	SPECIAL *	-	POWER *	-	INSULATION H	-	APPROVAL CE
SIL SL	-	ACCESSORIES SOLENOID B4														

SERIES : 52S

5/2 INTERNAL PILOT OPERATED, INLINE DOUBLE SOLENOID VALVE

VALVE TYPE-ORIFICE	
CODE	DESCRIPTION
NORMAL POWER	
57440A-6	2-10 bar, 8 Watt, Port 1/4"
57441-6	2-16 bar, 8 Watt, Port 1/4"
57440-12	2-10 bar, 8 Watt, Port 3/8" & 1/2"
57441-12	2-16 bar, 8 Watt, Port 3/8" & 1/2"
57440V01-25	2-10 bar, 8 Watt, Port 3/4" & 1"
57441V01-25	2-16 bar, 8 Watt, Port 3/4" & 1"
17 57440V01-40	2-10 bar, 8 Watt, Port 1 1/2", Size III, Current DC, AC/DC
17 57440-50	2-10 bar, 8 Watt, Port 2", Size III, Current DC, AC/DC
LOW POWER	
P5006-6	2-10 bar, 2 Watt, Port 1/4", Size III
P5006-12	2-10 bar, 2 Watt, Port 3/8" & 1/2", Size III
P5006V01-25	2-10 bar, 2 Watt, Port 3/4" & 1", Size III
P5006V01-40	2-10 bar, 1.8 Watt, Port 1 1/2", Size IV
24 57440V01LW-40	2-10 bar, 1.0 Watt, Port 1 1/2", Size IV, Enclosure Type 17 or 87
11 P5006-6	2-10 bar, 0.4 Watt, Port 1/4", Size III, Power LB04
11 P5006-12	2-10 bar, 0.4 Watt, Port 3/8" & 1/2", Size III, Power LB04
11 P5006V01-25	2-10 bar, 0.4 Watt, Port 3/4" & 1", Size III, Power LB04
P5012-6	2-8 bar, 0.4 Watt, Port 1/4", Size III, Power LW0.4
P5012-12	2-8 bar, 0.4 Watt, Port 3/8" & 1/2", Size III, Power LW0.4
P5012V01-25	2-8 bar, 0.4 Watt, Port 3/4" & 1", Size III, Power LW0.4
INTRINSICALLY SAFE Ex ia 24V DC	
57440A-6	2-10 bar, Port 1/4", Ex ia Enclosure Type 66, Size III
57440-12	2-10 bar, Port 3/8" & 1/2", Ex ia Enclosure Type 66, Size III
57440V01-25	2-10 bar, Port 3/4" & 1", Ex ia Enclosure Type 66, Size III
57440V01-40	2-10 bar, Port 1 1/2", Ex ia Enclosure Type 62, Size IV
57440-50	2-10 bar, Port 2", Ex ia Enclosure Type 62, Size IV
32 I5006-6	2-11 bar, Port 1/4", Enclosure Type 65CR, 67, 71
32 I5006-12	2-11 bar, Port 3/8" & 1/2", Enclosure Type 65CR, 67, 71
32 I5006V01-25	2-11 bar, Port 3/4" & 1", Enclosure Type 65CR, 67, 71
32 I5006RP-6	2-8 bar, Port 1/4", Enclosure Type 65CR, 67, 71
32 I5006RP-12	2-8 bar, Port 3/8" & 1/2", Enclosure Type 65CR, 67, 71
32 I5006V01RP-25	2-8 bar, Port 3/4" & 1", Enclosure Type 65CR, 67, 71

SIL CERTIFIED	
CODE	DESCRIPTION
1 ✖	NO
SL	YES

SUFFIX	
CODE	DESCRIPTION
1 ✖	NIL
8 AM	Ammonia
18 TC	3 Port NC
19 TO	3 Port NO

ORIFICE	
CODE	DESCRIPTION
6	6 mm
12	12 mm
25 25	25 mm
25 17 40	40 mm
17 50	50 mm

PORT CONNECTION	
CODE	DESCRIPTION
2G	1/4" BSP
2R	1/4" NPT
4G	1/2" BSP
4R	1/2" NPT
6G	3/4" BSP
6R	3/4" NPT
8G	1" BSP
8R	1" NPT
12G	1 1/2" BSP
12R	1 1/2" NPT
16G	2" BSP
16R	2" NPT

BODY MATERIAL						
CODE	DESCRIPTION	ORIFICE				
		6	12	25	40	50
1 ✖	ALUMINIUM	✓	✓	✓		
B2	BRASS	✓	✓			
B5	SS316	✓	✓	✓		✓
B5N	SS316 NACE Compliance	✓	✓	✓		✓
25 B17	BRASS FORGING			✓		
25 B12	CF8M (CAST SS316)				✓	

MANUAL OVERRIDE	
CODE	DESCRIPTION
M0	NIL
1 ✖	Momentary

SEAL		
CODE	GRADE, AMBIENT TEMPERATURE	MEDIA
1 ✖	NBR, -25 °C to 75 °C	1 ✖
S2G	VITON, -40 °C to 160 °C	✓
22 S19	F. Silicon -60 °C to 190 °C	✓

27 MEDIA	
CODE	DESCRIPTION
1 ✖	Air

SIZE-VOLTAGE CURRENT		
CODE	SIZE	COIL VOLTAGE
I-12V DC	I	12V DC
I-24V DC	I	24V DC
I-24V 50Hz	I	24V 50Hz/ 60Hz
I-110V 50Hz	I	110V 50Hz/ 120V 60Hz
I-230V 50Hz	I	230V 50Hz/ 240V 60Hz
III-12V DC	III	12V DC
III-24V DC	III	24V DC
III-24V 50Hz	III	24V 50Hz/ 60Hz
III-24V AC/ DC	III	30 4 24V 50Hz/ 60Hz/ DC
III-48V DC	III	48V DC
III-110V DC	III	110V DC
III-110V 50Hz	III	110V 50Hz/ 120V 60Hz
III-110V AC/ DC	III	30 4 110V 50Hz/ 60Hz/ DC 120V 50Hz/ 60Hz/ DC
III-220V DC	III	220V DC
III-230V 50Hz	III	230V 50Hz/ 240V 60Hz
III-230V AC/ DC	III	30 4 220V 50Hz/ 60Hz/ DC 240V 50Hz/ 60Hz/ DC
III-256V DC	III	256V DC
IV-24V DC	IV	24V DC

5/2 INTERNAL PILOT OPERATED, INLINE DOUBLE SOLENOID VALVE

ENCLOSURE TYPE	
CODE	DESCRIPTION
WEATHER PROOF TERMINAL BOX	
⑤ 22	DIN Plug Solenoid, IP 67, Cable Entry Pg9, as per DIN43650B, Size I
⑤ 25	DIN Plug Solenoid, IP 67, Cable Entry Pg9, as per DIN43650A, Size III, IV
16	Integrated Terminal box, IP 67, 1/2" NPT, -40 °C to 100 °C
19	Integrated Terminal box, IP 67, M20X1.5, -40 °C to 100 °C
17	Integrated Terminal Box, IP67, Bottom Cable Entry, M25X1.5, Size III, IV
17-MS	Integrated Terminal Box, IP67, Bottom Cable Entry, M20X1.5, Size III, IV
17-NS	Integrated Terminal Box, IP67, Bottom Cable Entry, 1/2" NPT, Size III, IV
17-A	Integrated Terminal Box, IP68, Bottom Cable Entry, M25X1.5, Size III, IV
17-MS-A	Integrated Terminal Box, IP68, Bottom Cable Entry, M20X1.5, Size III, IV
17-NS-A	Integrated Terminal Box, IP68, Bottom Cable Entry, 1/2" NPT, Size III, IV
EXPLOSION PROOF Ex d (For Gas & Dust)	
⑮ 37	Ex d IIC IP66, -40 °C TO 60 °C, 1/2" NPT
⑮ 39	Ex d IIC IP66, -40 °C TO 60 °C, M20 X 1.5
87	Ex d IIC IP67, -60 °C TO 100 °C, M25 X 1.5, Size III, IV
87-MS	Ex d IIC IP67, -60 °C TO 100 °C, M20 X 1.5, Size III, IV
87-NS	Ex d IIC IP67, -60 °C TO 100 °C, 1/2" NPT, Size III, IV
87 -A	Ex d IIC IP68, -60 °C TO 100 °C, M25 X 1.5, Size III, IV
87-MS-A	Ex d IIC IP68, -60 °C TO 100 °C, M20 X 1.5, Size III, IV
87-NS-A	Ex d IIC IP68, -60 °C TO 100 °C, 1/2" NPT, Size III, IV
FLAMEPROOF Ex e mb (For Gas & Dust)	
58	Ex e mb IIC, IP67, -40 °C TO 70 °C, M25 X 1.5
58-MS	Ex e mb IIC, IP67, -40 °C TO 70 °C, M20 X 1.5
58-NS	Ex e mb IIC, IP67, -40 °C TO 70 °C, 1/2" NPT
58LT	Ex e mb IIC, IP67, -60 °C TO 70 °C, M25 X 1.5
58LT-MS	Ex e mb IIC, IP67, -60 °C TO 70 °C, M20 X 1.5
58LT-NS	Ex e mb IIC, IP67, -60 °C TO 70 °C, 1/2" NPT
INTRINSICALLY SAFE Ex ia (For Gas & Dust)	
62	Ex ia IIC, IP67, -60 °C TO 70 °C, M25 X 1.5, Size IV, Booster Circuit
62-MS	Ex ia IIC, IP67, -60 °C TO 70 °C, M20 X 1.5, Size IV, Booster Circuit
62-NS	Ex ia IIC, IP67, -60 °C TO 70 °C, 1/2" NPT, Size IV, Booster Circuit
③ 65CR	Ex ia IIC, IP67, -60 °C TO 70 °C, Pg9, Size III, DIN Plug In Enclosure
66	Ex ia IIC, IP67, -60 °C TO 70 °C, M25 X 1.5, Size III, Booster Circuit
66MS	Ex ia IIC, IP67, -60 °C TO 70 °C, M20 X 1.5, Size III, Booster Circuit
66NS	Ex ia IIC, IP67, -60 °C TO 70 °C, 1/2" NPT, Size III, Booster circuit
67	Ex ia IIC, IP67, -60 °C TO 70 °C, M25 X 1.5, Size III
67MS	Ex ia IIC, IP67, -60 °C TO 70 °C, M20 X 1.5, Size III
67NS	Ex ia IIC, IP67, -60 °C TO 70 °C, 1/2" NPT, Size III
71	Ex ia IIC, IP67, -60 °C TO 70 °C, M25 X 1.5, Size III
71MS	Ex ia IIC, IP67, -60 °C TO 70 °C, M20 X 1.5, Size III
71NS	Ex ia IIC, IP67, -60 °C TO 70 °C, 1/2" NPT, Size III

ENCLOSURE MATERIAL	
CODE	DESCRIPTION
① ✕	Aluminium Cast Epoxy Powder Coated
CO	CF8M (Stainless Steel Cast)

SPECIAL	
CODE	DESCRIPTION
① ✕	NIL
⑦ FR	Full Rectifier with Surge Suppressor Size III, IV
⑳ ㉑ LD	LED, Size III, IV
⑫ SS ⑳	Surge Suppressor Size III, IV
㉓ RC	Half Rectifier with Surge Suppressor Size III

INSULATION	
CODE	DESCRIPTION
① ✕	CLASS F
H	CLASS H

SIL	
CODE	DESCRIPTION
① ✕	NO
SL	YES

POWER																
CODE	SIZE	POWER WATT	12V DC	24V DC	24V 50Hz	24V AC/DC	48V DC	110V DC	110V 50Hz	110V AC/DC		230V AC 50Hz	220V DC	230V AC /DC		256V DC
			12V DC	24V DC	24V 50 Hz/ 60 Hz	④ 24V 50Hz/ 60 Hz/ DC	48V DC	110V DC	110V 50Hz 120V 60Hz	④ 110V 50Hz/ 60Hz/ DC	④ 120V 50Hz/ 60Hz/ DC	230V 50Hz 240V 60Hz	220V DC	④ 220V 50Hz/ 60Hz/ DC	④ 240V 50Hz/ 60Hz/ DC	256V DC
LW2	I	2.0		✓					✓			✓				
① ✕	I	6.0			✓				✓			✓				
① ✕	I	8.0	✓	✓												
LW0.4	III	0.4		✓												
LW2	III	2.0	✓	✓				✓		✓						
① ✕	III	6.0			✓				✓			✓				
① ✕	III	8.0	✓	✓		✓	✓	✓		✓			✓	✓		
		9.0									✓				✓	✓
LW1.8	IV	1.8		✓												
㉔ LW1	IV	1.0		✓												
⑪ LB04	III	0.4		✓												

5/2 INTERNAL PILOT OPERATED, INLINE DOUBLE SOLENOID VALVE

APPROVAL		9 ENCLOSURE TYPE													
CODE	DESCRIPTION	17	37	39	58	58LT	62	65CR	66	67	71	87	17A	87A	
① ⑮ ✘	CCOE/ PESO + BIS, Insulation Class H		✓	✓			✓	✓	✓	✓	✓	✓		✓	
01	CE - ATEX, Insulation Class H		✓	✓	✓	✓									
01	IEC Ex + ATEX, Insulation Class H						✓		✓	✓	✓	✓		✓	
01B	INDIAN + ATEX, Insulation Class H		✓	✓			✓		✓			✓		✓	
02	UL Recognised, for USA and Canada, Type 3, 3S, 4, 4X, 6, 6P UL file Number E 342217	✓											✓		
03	INMETRO + ATEX, Insulation Class H		✓	✓			✓		✓	✓	✓	✓		✓	
03C	IEC Ex + ATEX + IN METRO + CuTR-EAC											✓		✓	
04	CuTR- EAC + ATEX , Insulation Class H		✓	✓			✓		✓	✓	✓	✓		✓	
⑫ 07	KOSHA + ATEX, Insulation Class H											✓		✓	
08	Ukraine, Insulation Class H						✓		✓	✓	✓	✓		✓	
⑭ CE	CE (Weatherproof Solenoid)	✓												✓	
⑯ EAC	EAC MARK	✓												✓	

Note :

- ① Do not Specify when opted for
- ② Approval Other than BIS, CCOE/ PESO, DGMS
- ③ BIS, CCOE/ PESO, DGMS Approved coil
- ④ Opt FR from special
- ⑤ Current DC, 50Hz, 60Hz
- ⑦ Do not Opt for Enclosure Type 01, 06, 22, 25
- ⑧ Select Body Material SS316 (B5), Solenoid DC or AC/ DC Current
- ⑨ All variation of 17, 37, 39, 58, 58LT, 62, 65CR, 66, 67, 71, 87 included
- ⑩ Media should be Oil free Air/ Inert Gas/ Water
- ⑪ Do not opt for 01, 06, 22, 25. In rush 2W for 100 msec, Holding 0.4W
- ⑫ Current DC
- ⑬ Ambient Temperature restricted for Enclosure Type 17, 37, 39, 58, 58LT, 62, 65CR, 66, 67, 71, 87 to Solenoid Ambient Temperature
- ⑭ Select Nil or one Accessories from A1 to A6 for Valve and B1 to B8 for Solenoid
- ⑮ IP67 Certified by BIS, CCOE/ PESO, DGMS
- ⑰ Select Solenoid XXXV DC or III-XXXV AC/ DC
- ⑱ Type 57440, 57440A, 57441, 57440LW, P5006, P5012, I5006, I5006RP with suffix TC (Port 4 plugged) can be used as 3 Port NC Valve
- ⑲ Type 57440, 57440A, 57441, 57440LW, P5006, P5012, I5006, I5006RP with suffix TO (Port 2 plugged) can be used as 3 Port NO Valve
- ⑳ Can not be opted for Enclosure Type 01, 06
- ㉑ KOSHA Certificate only for Enclosure size II ≤20W
- ㉒ Orifice 6, 12, 25
- ㉓ Can be opted for Enclosure Type 01, 06, 16, 19, 22, 25
- ㉔ Enclosure Type 17, 17NS, 87, 87MS, 87NS
- ㉕ For Body material B17 (Brass Forged) and B12 (Cast SS316), add suffix V01 to Valve Type
- ㉖ Do not Opt for Enclosure Type 01, 06, 22
- ㉗ Media Code shall be part of Ordering Code other than Default Media Type
- ㉘ For Solenoid type 25 with AC current supply, Use 50Hz with Special RC Option
- ㉙ For Intrinsically Safe Solenoid, LD (LED) can be opted with CCOE/PESO certification only
- ㉚ Seal Kit Code P98 & Repair Kit Code 99 for Intrinsically Safe Valve

ENTITY PARAMETER

Entity Parameter	
Ui	32V DC
Ii	230mA
Pi	2.3W
Ci	0
Li	0

MINIMUM OPERATING PARAMETER

Type	62	62..LD..
Minimum Voltage (V)	11	12
Minimum Current (mA)	22	24
Minimum Power (W)	0.24	0.29
LED	NO	YES
Pressure (bar)	10	10

MINIMUM OPERATING PARAMETER

Type	66	66..LD..	65CR	67	67..LD..	71	71..LD..	65CR	67	67..LD..	71	71..LD..
Minimum Voltage (V)	10	10	11	11	11	11	11	14	14	15	14	14
Minimum Current (mA)	20	21	19	19	22	19	22	25	25	28	25	28
Minimum Power (W)	0.20	0.21	0.21	0.21	0.24	0.21	0.24	0.35	0.35	0.42	0.35	0.42
LED	No	Yes	No	No	Yes	No	Yes	No	No	Yes	No	Yes
Pressure (bar)	As per Solenoid Valve rating		Maximum 8.0					Maximum 11.0				

RESPONSE ON TIME FOR SOLENOID TYPE 62, 66, 62..LD.., 66..LD..

Voltage (V)	10	11	12	14	18	22	24	26	30	32	Current (mA)	18.5	20	25	30
Current (mA)	20	22	24	28.5	37	45.5	49.7	54	63	67	Open Ckt Voltage (V)	19.5	19.5	19.5	19.5
Response Time (ms)≤	4800	3800	2500	1600	850	650	450	400	250	250	Time (ms)≤	5000	4000	2500	2000

5/2 INTERNAL PILOT OPERATED, INLINE DOUBLE SOLENOID VALVE

MARKING Explosion Proof

ENCLOSURE TYPE 37/ 39

SIZE	Power	BIS & PESO, DGMS	EAC - CuTR (Russia)	ATEX / INMETRO
I II IV	≤5W ≤8W ≤11W	Ex d IIC T6/T5 Gb, IP67 Ex tb IIIC T80°C/T95°C Db -40°C ≤ Ta ≤ 65°C FOR T6 -40°C ≤ Ta ≤ 70°C FOR T5	1 Ex d IIC T6/ T5/ T4 Gb IP66 Ex tb IIIC T80°C / T95°C / T130°C Db IP66 ИЛИ -40°C ≤ Ta ≤ 35°C FOR T6 -40°C ≤ Ta ≤ 50°C FOR T5 -40°C ≤ Ta ≤ 60°C FOR T4	Ex II 2G Ex d IIC T6/ T5/ T4 Gb IP66 Ex II 2G Ex tb IIIC T80°C / T95°C / T130°C Db IP66 -40°C ≤ Ta ≤ 35°C FOR T6 -40°C ≤ Ta ≤ 50°C FOR T5 -40°C ≤ Ta ≤ 60°C FOR T4 (Power ≤ 20W)
I II III	≤8W ≤13W ≤8W	Ex d IIC T6/T5 Gb, IP67 Ex tb IIIC T80°C/T95°C Db -40°C ≤ Ta ≤ 60°C FOR T6 -40°C ≤ Ta ≤ 70°C FOR T5		
III	≤15W	Ex d IIC T6/T5/T4 ≤Gb, IP67 Ex tb IIIC T80°C/T95°C/T130°C Db -40°C ≤ Ta ≤ 50°C FOR T6 -40°C ≤ Ta ≤ 65°C FOR T5 -40°C ≤ Ta ≤ 70°C FOR T4		
III IV	≤5W ≤5W	Ex d IIC T6 Gb, IP67 Ex tb IIIC T80°C Db -40°C ≤ Ta ≤ 70°C FOR T6		
II	≤20W	Ex d IIC T6/T5 Gb, IP67 Ex tb IIIC T80°C / T95°C Db -40°C ≤ Ta ≤ 55°C FOR T6 -40°C ≤ Ta ≤ 70°C FOR T5		
II	≤30W	Ex d IIC T6/T5/T4 Gb, IP67 Ex tb IIIC T80°C/T95°C/ T130°C Db -40°C ≤ Ta ≤ 40°C FOR T6 -40°C ≤ Ta ≤ 55°C FOR T5 -40°C ≤ Ta ≤ 70°C FOR T4		

ENCLOSURE TYPE 87

SIZE	Power	ATEX, IEC Ex, BIS & PESO, DGMS	INMETRO	EAC - CuTR (Russia) / UKRANE	KOSHA
III II IV	≤5W ≤8W ≤11W	Ex db IIC T6/T5/T4 Gb IP67 Ex tb IIIC T80°C/T95°C/T130°C Db IP67 -60°C ≤ Ta ≤ +65°C for T6 -60°C ≤ Ta ≤ +80°C for T5 -60°C ≤ Ta ≤ +100°C for T4	Ex db IIC T6/T5/T4 Gb Ex tb IIIC T85°C/T100°C/T135°C Db IP67 -60°C ≤ Ta ≤ +65°C for T6 -60°C ≤ Ta ≤ +80°C for T5 -60°C ≤ Ta ≤ +100°C for T4	1 Ex db IIC T6/T5/T4 Gb IP67 Ex tb IIIC T80°C/T95°C/T130°C Db ИЛИ -60°C ≤ Ta ≤ +65°C for T6 -60°C ≤ Ta ≤ +80°C for T5 -60°C ≤ Ta ≤ +100°C for T4	형식 또는 모델명 : 87, BCE 규격 또는 등급 : Ex d IIC T3-T6 제조자명 : Rotex Automation Limited 안전인증 번호 : 15-AV4BO-0000
III II	≤8W ≤13W	Ex db IIC T6/T5/T4 Gb IP67 Ex tb IIIC T80°C/T95°C/T130°C Db IP67 -60°C ≤ Ta ≤ +60°C for T6 -60°C ≤ Ta ≤ +75°C for T5 -60°C ≤ Ta ≤ +100°C for T4	Ex db IIC T6/T5/T4 Gb Ex tb IIIC T85°C/T100°C/T135°C Db IP67 -60°C ≤ Ta ≤ +60°C for T6 -60°C ≤ Ta ≤ +75°C for T5 -60°C ≤ Ta ≤ +100°C for T4	1 Ex db IIC T6/T5/T4 Gb IP67 Ex tb IIIC T80°C/T95°C/T130°C Db ИЛИ -60°C ≤ Ta ≤ +60°C for T6 -60°C ≤ Ta ≤ +75°C for T5 -60°C ≤ Ta ≤ +100°C for T4	
III	≤15W	Ex db IIC T6/T5/T4 Gb IP67 Ex tb IIIC T80°C/T95°C/T130°C Db IP67 -60°C ≤ Ta ≤ +50°C for T6 -60°C ≤ Ta ≤ +65°C for T5 -60°C ≤ Ta ≤ +100°C for T4	Ex db IIC T6/T5/T4 Gb Ex tb IIIC T85°C/T100°C/T135°C Db IP67 -60°C ≤ Ta ≤ +50°C for T6 -60°C ≤ Ta ≤ +65°C for T5 -60°C ≤ Ta ≤ +100°C for T4	1 Ex db IIC T6/T5/T4 Gb IP67 Ex tb IIIC T80°C/T95°C/T130°C Db ИЛИ -60°C ≤ Ta ≤ +50°C for T6 -60°C ≤ Ta ≤ +65°C for T5 -60°C ≤ Ta ≤ +100°C for T4	
IV	≤5W	Ex db IIC T6/T5/T4 Gb IP67 Ex tb IIIC T80°C/T95°C/T130°C Db IP67 -60°C ≤ Ta ≤ +70°C for T6 -60°C ≤ Ta ≤ +85°C for T5 -60°C ≤ Ta ≤ +100°C for T4	Ex db IIC T6/T5/T4 Gb Ex tb IIIC T85°C/T100°C/T135°C Db IP67 -60°C ≤ Ta ≤ +70°C for T6 -60°C ≤ Ta ≤ +85°C for T5 -60°C ≤ Ta ≤ +100°C for T4	1 Ex db IIC T6/T5/T4 Gb IP67 Ex tb IIIC T80°C/T95°C/T130°C Db ИЛИ -60°C ≤ Ta ≤ +70°C for T6 -60°C ≤ Ta ≤ +85°C for T5 -60°C ≤ Ta ≤ +100°C for T4	
II	≤20W	Ex db IIC T5/T4/T3 Gb IP67 Ex tb IIIC T95°C/T130°C/155°C Db IP67 -60°C ≤ Ta ≤ +45°C for T5 -60°C ≤ Ta ≤ +80°C for T4 -60°C ≤ Ta ≤ +100°C for T3	Ex db IIC T5/T4/T3 Gb Ex tb IIIC T100°C/T135°C/155°C Db IP67 -60°C ≤ Ta ≤ +45°C for T5 -60°C ≤ Ta ≤ +80°C for T4 -60°C ≤ Ta ≤ +100°C for T3	1 Ex db IIC T5/T4/T3 Gb IP67 Ex tb IIIC T95°C/T130°C/T155°C Db ИЛИ -60°C ≤ Ta ≤ +45°C for T5 -60°C ≤ Ta ≤ +80°C for T4 -60°C ≤ Ta ≤ +100°C for T3	
II	≤30W	Ex db IIC T4/T3 Gb IP67 Ex tb IIIC T130°C/T155°C Db IP67 -60°C ≤ Ta ≤ +60°C for T4 -60°C ≤ Ta ≤ +70°C for T3	Ex db IIC T4/T3 Gb Ex tb IIIC T135°C/T155°C Db IP67 -60°C ≤ Ta ≤ +60°C for T4 -60°C ≤ Ta ≤ +70°C for T3	1 Ex db IIC T4/T3 Gb IP67 Ex tb IIIC T130°C/T155°C Db ИЛИ -60°C ≤ Ta ≤ +60°C for T4 -60°C ≤ Ta ≤ +70°C for T3	

5/2 INTERNAL PILOT OPERATED, INLINE DOUBLE SOLENOID VALVE

MARKING Explosion Proof

ENCLOSURE TYPE 58

SIZE	Power	CE-ATEX, Insulation H
I II IV	≤5W ≤8W ≤11W	Ex II 2GD Ex e mb IIC T6/ T5 IP67 Ex tb IIIC T6/ T5 IP67 -40° C ≤ Ta ≤ 65° C for T6 -40° C ≤ Ta ≤ 70° C for T5
I II III	≤8W ≤13W ≤8W	Ex II 2GD Ex e mb IIC T6/ T5 IP67 Ex tb IIIC T6/ T5 IP67 -40° C ≤ Ta ≤ 60° C for T6 -40° C ≤ Ta ≤ 70° C for T5
III	≤15W	Ex II 2GD Ex e mb IIC T6/ T5/ T4 IP67 Ex tb IIIC T6/ T5/ T4 IP67 -40° C ≤ Ta ≤ 50° C for T6 -40° C ≤ Ta ≤ 65° C for T5 -40° C ≤ Ta ≤ 70° C for T4
III IV	≤5W ≤5W	Ex II 2GD Ex e mb IIC T6 IP67 Ex tb IIIC T6 IP67 -40° C ≤ Ta ≤ 70° C for T6
II	≤20W	Ex II 2GD Ex e mb IIC T6/ T5 IP67 Ex tb IIIC T6/ T5 IP67 -40° C ≤ Ta ≤ 55° C for T6 -40° C ≤ Ta ≤ 70° C for T5
II	≤30W	Ex II 2GD Ex e mb IIC T6/ T5/ T4 IP67 Ex tb IIIC T6/ T5/ T4 IP67 -40° C ≤ Ta ≤ 40° C for T6 -40° C ≤ Ta ≤ 55° C for T5 -40° C ≤ Ta ≤ 70° C for T4

ENCLOSURE TYPE 58LT

SIZE	Power	CE-ATEX, Insulation H
I II IV	≤5W ≤8W ≤11W	Ex II 2GD Ex e mb IIC T6/ T5 IP67 Ex tb IIIC T6/ T5 IP67 -60° C ≤ Ta ≤ 65° C for T6 -60° C ≤ Ta ≤ 70° C for T5
I II III	≤8W ≤13W ≤8W	Ex II 2GD Ex e mb IIC T6/ T5 IP67 Ex tb IIIC T6/ T5 IP67 -60° C ≤ Ta ≤ 60° C for T6 -60° C ≤ Ta ≤ 70° C for T5
III	≤15W	Ex II 2GD Ex e mb IIC T6/ T5/ T4 IP67 Ex tb IIIC T6/ T5/ T4 IP67 -60° C ≤ Ta ≤ 50° C for T6 -60° C ≤ Ta ≤ 65° C for T5 -60° C ≤ Ta ≤ 70° C for T4
III IV	≤5W ≤5W	Ex II 2GD Ex e mb IIC T6 IP67 Ex tb IIIC T6 IP67 -60° C ≤ Ta ≤ 70° C for T6
II	≤20W	Ex II 2GD Ex e mb IIC T6/ T5 IP67 Ex tb IIIC T6/ T5 IP67 -60° C ≤ Ta ≤ 55° C for T6 -60° C ≤ Ta ≤ 70° C for T5
II	≤30W	Ex II 2GD Ex e mb IIC T6/ T5/ T4 IP67 Ex tb IIIC T6/ T5/ T4 IP67 -60° C ≤ Ta ≤ 40° C for T6 -60° C ≤ Ta ≤ 55° C for T5 -60° C ≤ Ta ≤ 70° C for T4

ENCLOSURE TYPE 66, 67 & 71

Enclosure	ATEX/ IECEx (Eurpoe)/ INMETRO/ CEPTEL (Brazil)	EAC - CuTR (Russia)	BIS & PESO, DGMS
Al Cast	Ex ia IIC T5 Ga (-60°C≤Ta≤+75°C) Ex ia IIC T6 Ga (-60°C≤Ta≤+60°C) Ex ia IIIC T2oo 125°C IP67 Da (-60°C≤Ta≤+75°C)	0 Ex ia IIC T5 Ga IP67 (-60°C≤Ta≤+75°C) 0 Ex ia IIC T6 Ga IP67 (-60°C≤Ta≤+60°C) 0 Ex ia IIIC T2oo 125°C IP67 Da (-60°C≤Ta≤+75°C)	Ex ia I/IIC T5, IP67 (-40°C≤Ta≤75°C) Ex ia I/IIC T6, IP67 (-40°C≤Ta≤60°C)
SS Cast	Ex ia IIC T5 Ga (-60°C≤Ta≤+75°C) Ex ia IIC T6 Ga (-60°C≤Ta≤+60°C) Ex ia IIIC T2oo 125°C IP67 Da (-60°C≤Ta≤+75°C) Ex ia I Ma (-60°C≤Ta≤+75°C)	0 Ex ia IIC T5 Ga IP67 (-60°C≤Ta≤+75°C) 0 Ex ia IIC T6 Ga IP67 (-60°C≤Ta≤+60°C) 0 Ex ia IIIC T2oo 125°C IP67 Da (-60°C≤Ta≤+75°C) PO Ex ia I Ma (-60°C≤Ta≤+75°C) (ТОЛЬКО СТАЛЬ) ИЛИ	
Al Cast	Ukraine		
	0 Ex ia IIC T5 X -60°C≤Ta≤+75°C 0 Ex ia IIC T6 X -60°C≤Ta≤+60°C		
SS Cast	PO Ia X -60°C≤Ta≤+75°C (ДЛЯ варіанта у сталюму корпусі) 0 Ex ia IIC T5 X -60°C≤Ta≤+75°C 0 Ex ia IIC T6 X -60°C≤Ta≤+60°C		

ENCLOSURE TYPE 65CR

BIS & PESO, DGMS
Ex ia I/IIC T5, IP67 (-40°C≤Ta≤75°C) Ex ia I/IIC T6, IP67 (-40°C≤Ta≤60°C)

MARKING Weather Proof

ENCLOSURE TYPE 17

US & Canada (UL Recognised)
TYPE 3, 3R, 3S, 4, 4X, 6 & 6P -60°C to +100°C POWER ≤20W -60°C to +60°C 20W< POWER ≤30W

5/2 INTERNAL PILOT OPERATED, INLINE DOUBLE SOLENOID VALVE

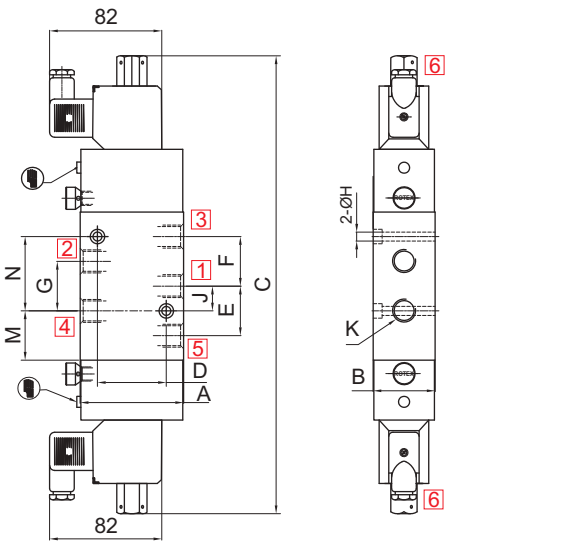
14 ACCESSORIES		
	CODE	DESCRIPTION
	①×	NIL
	A1	NRV Metallic Dust cap SS316, ideally suited for Protecting Valve internals from external Environment (Ambient Temperature - 60 °C to 150 °C), Water, Snow, Bugs, etc.
	A3	Silencer Sintered Bronze
	A4	Silencer Sintered SS
	A5	Dust Cap (Ambient Temperature - 20 °C to 80 °C)
	A6	NRV Dust cap Nylon, ideally suited for preventing external Environmental Media/ Water/ Liquid entering in the valve. Supplied only for 1/4" BSP/ NPT (Ambient Temperature - 20 °C to 80 °C)
	①×	NIL
	B1	Weather Proof Cable Gland M20X1.5(M) Brass
	B5	ATEX Approved Cable Gland (Plastic) M20X1.5(M) (Ambient Temperature - 20 °C to 80 °C)
	B6	ATEX Approved Cable Gland (BRASS) M20X1.5(M) (Ambient Temperature - 20 °C to 80 °C)
	B7	ATEX Approved Cable Gland (SS316) M20X1.5(M) (Ambient Temperature - 20 °C to 80 °C)
	B8	Weather Proof Cable gland M20X1.5(M) (Plastic)
	B3	Explosion Proof Double Compression Cable Gland (BRASS) 1/2" NPT(M) (Ambient Temperature - 20 °C to 80 °C), CCOE/ PESO Certified
	B4	Explosion Proof Double Compression Cable Gland (SS316) 1/2" NPT(M) (Ambient Temperature - 20 °C to 80 °C), CCOE/ PESO Certified

VALVE

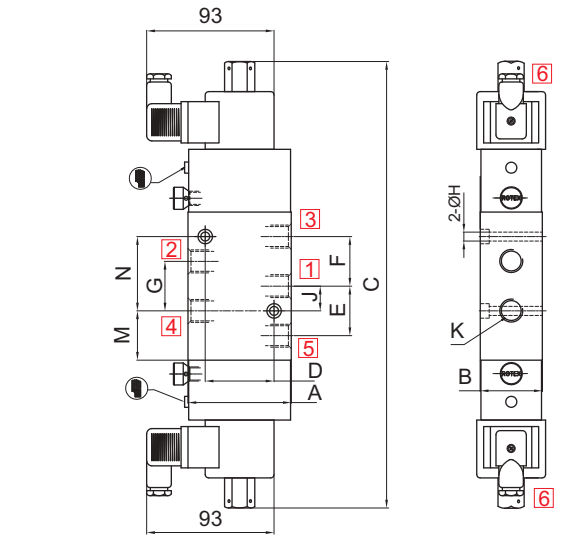
SOLENOID

5/2 INTERNAL PILOT OPERATED, INLINE DOUBLE SOLENOID VALVE

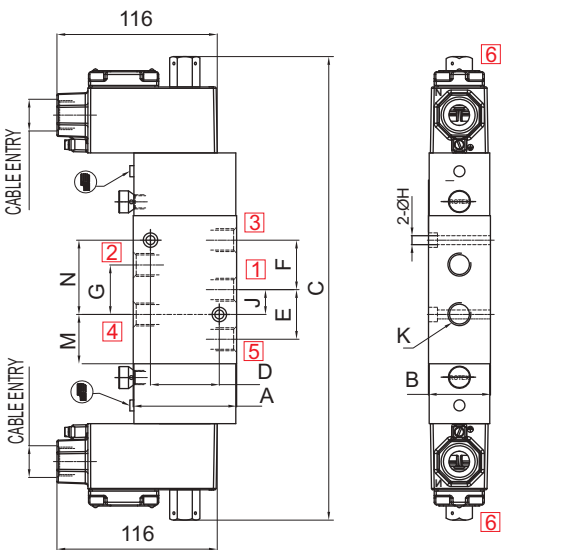
DIMENSIONS All Dimensions are in mm



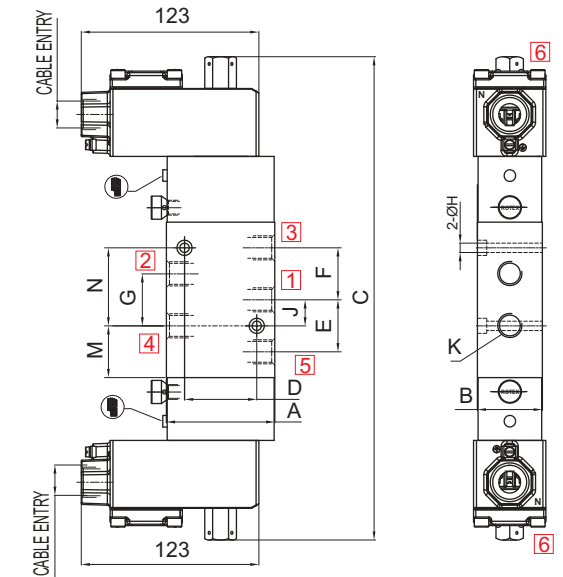
Valve Type	57440A, 57440, 57441, 57440V01, 57441V01, P5006, P5006V01
Enclosure Type	22
Enclosure Size	I



Valve Type	57440A, 57440, 57441, 57440V01, 57441V01, P5006, I5006, P5012, P5012V01, I5006RP, I5006V01RP, P5006V01, I5006V01
Enclosure Type	25, 65CR
Enclosure Size	III



Valve Type	57440A, 57440, 57441, 57440V01, 57441V01, P5006, P5006V01
Enclosure Type	16, 19, 37, 39, 58, 58LT
Enclosure Size	I



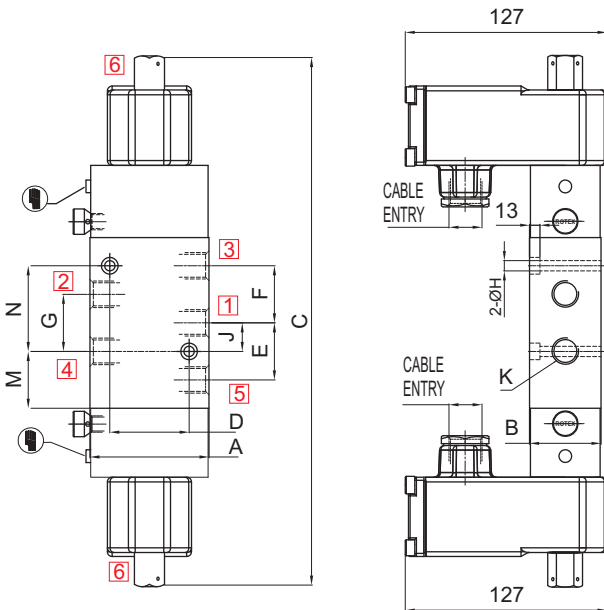
Valve Type	57440A, 57440, 57441, 57440V01, 57441V01, P5006, I5006, P5012, P5012V01, I5006RP, I5006V01RP, P5006V01, I5006V01
Enclosure Type	16, 19, 37, 39, 58, 58LT, 67
Enclosure Size	III

Valve Type : 57440A, 57440, 57441, 57440V01, 57441V01, P5006, I5006, P5012, P5012V01, I5006RP, I5006V01RP, P5006V01, I5006V01														Body Material		
NW	K	A	B	C	D	E	F	G	H	J	M	N	AL	SS	BR	
6	1/4"	58	38	295	40	24	24	24	5.5	12	25.8	12	✓	✓	✓	
12	3/8", 1/2"	75	45	341	50	36	36	36	6.5	18	35.8	54	✓	✓	✓	
25	3/4", 1"	110	81	390	80	56	56	54	8.5	27	30.8	27	✓	✓		

5/2 INTERNAL PILOT OPERATED, INLINE DOUBLE SOLENOID VALVE

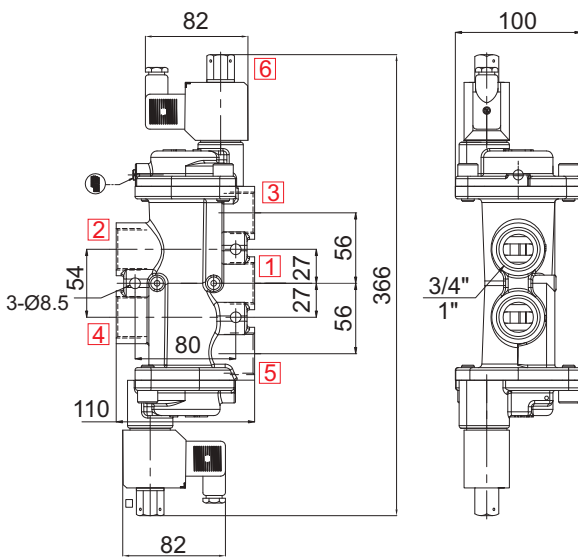
DIMENSIONS

All Dimensions are in mm

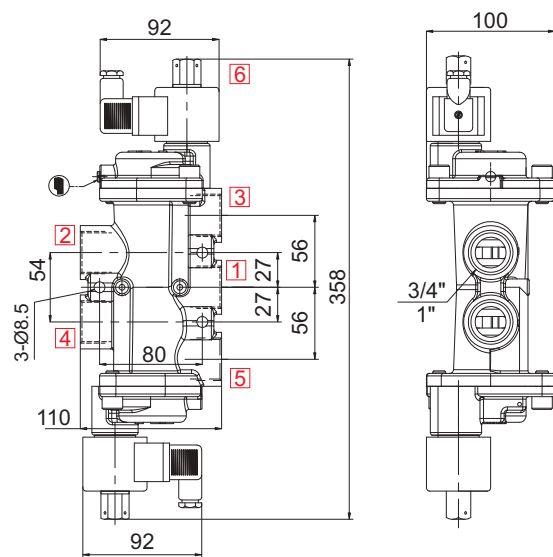


Valve Type	57440A, 57440, 57441, 57440V01, 57441V01, P5006, I5006, P5012, P5012V01, I5006RP, I5006V01RP, P5006V01, I5006V01
Enclosure Type	17, 87, 66, 71
Enclosure Size	III

Valve Type : 57440A, 57440, 57441, 57440V01, 57441V01, P5006, I5006, P5012, P5012V01, I5006RP, I5006V01RP, P5006V01, I5006V01													Body Material		
NW	K	A	B	C	D	E	F	G	H	J	M	N	AL	SS	BR
6	1/4"	58	38	295	40	24	24	24	5.5	12	25.8	12	✓	✓	✓
12	3/8", 1/2"	75	45	341	50	36	36	36	6.5	18	35.8	54	✓	✓	✓
25	3/4", 1"	110	81	390	80	56	56	54	8.5	27	30.8	27	✓	✓	✓



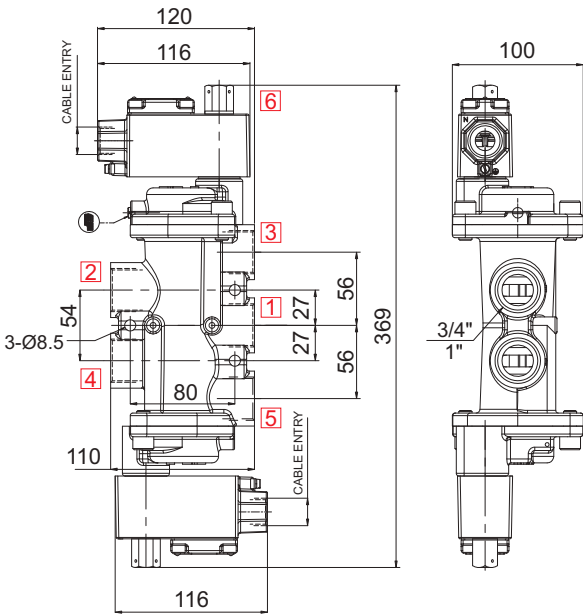
Valve Type	57440V01, 57441V01, P5006V01
Enclosure Type	22
Enclosure Size	I
Body Material	B17 (Forged Brass)



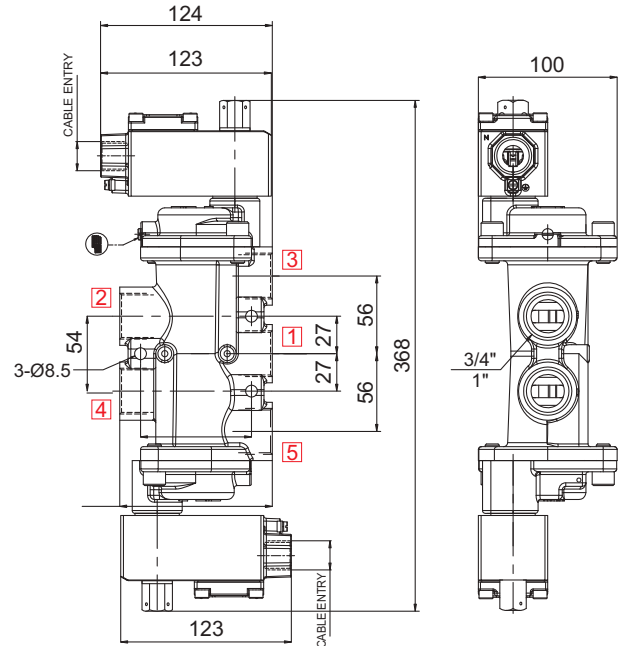
Valve Type	57440V01, 57441V01, P5006V01, P5012V01, I5006V01, I5006V01RP
Enclosure Type	25, 65CR
Enclosure Size	III
Body Material	B17 (Forged Brass)
Orifice	25mm

5/2 INTERNAL PILOT OPERATED, INLINE DOUBLE SOLENOID VALVE

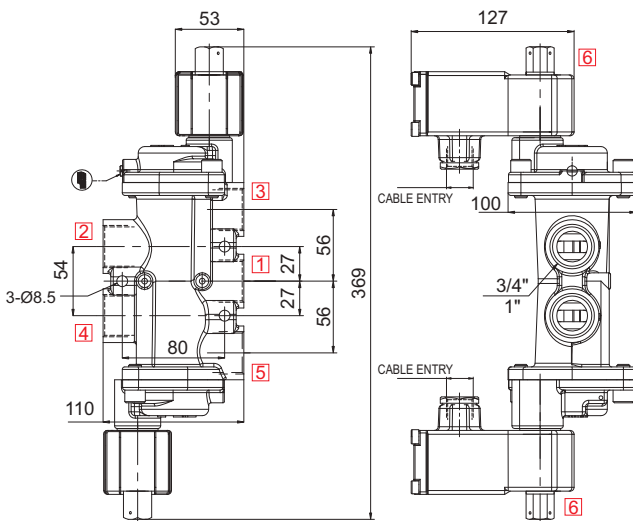
DIMENSIONS All Dimensions are in mm



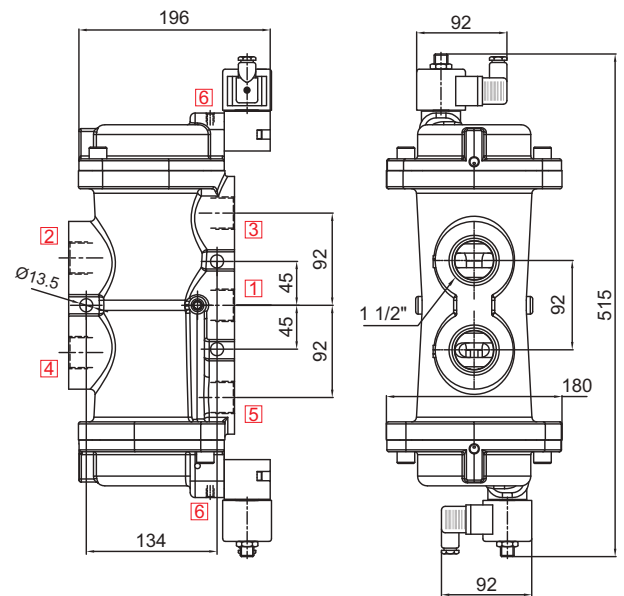
Valve Type	57440V01, 57441V01, P5006V01, P5006V01
Enclosure Type	16, 19, 37, 58, 58LT
Enclosure Size	I
Body Material	B17 (Forged Brass)



Valve Type	57440V01, 57441V01, P5006V01, P5012V01, I5006V01, I5006V01RP
Enclosure Type	16, 19, 37, 39, 58, 58LT, 67
Enclosure Size	III
Body Material	B17 (Forged Brass)
Orifice	25mm



Valve Type	57440V01, 57441V01, P5006V01, P5012V01, I5006V01, I5006V01RP
Enclosure Type	17, 87, 66, 71
Enclosure Size	III
Body Material	B17 (Forged Brass)
Orifice	25mm

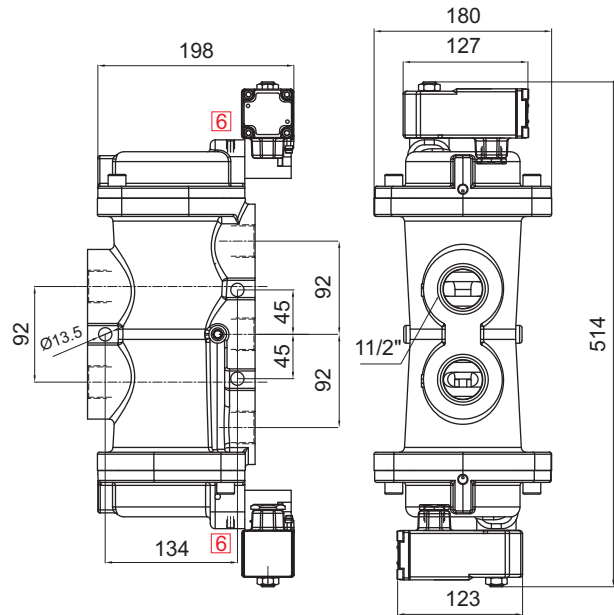
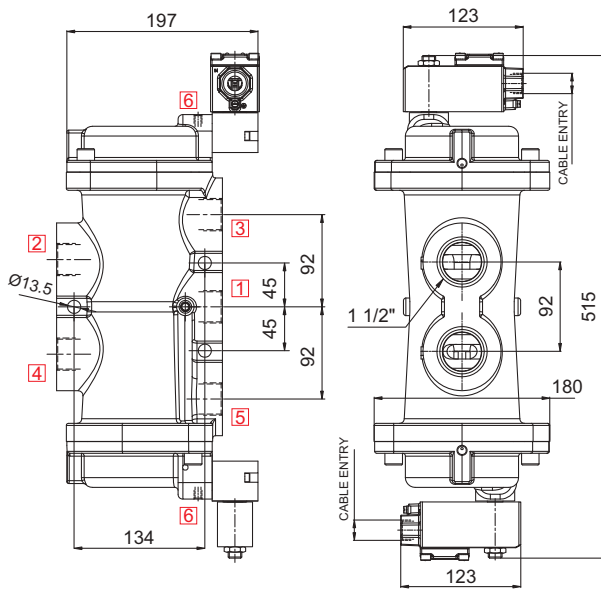


Valve Type	57440V01
Enclosure Type	25
Enclosure Size	III
Body Material	B12 (Stainless Steel Cast)
Orifice	40mm

5/2 INTERNAL PILOT OPERATED, INLINE DOUBLE SOLENOID VALVE

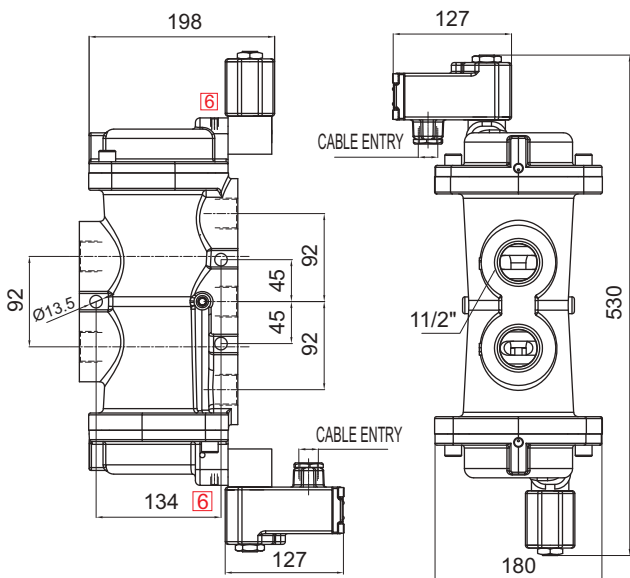
DIMENSIONS

All Dimensions are in mm



Valve Type	57440V01
Enclosure Type	16, 19, 37, 39, 58, 58LT
Enclosure Size	III
Body Material	B12 (Stainless Steel Cast)
Orifice	40mm

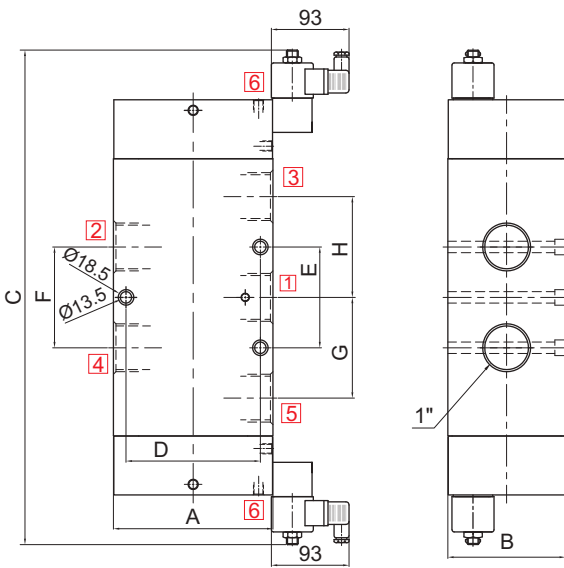
Valve Type	57440V01
Enclosure Type	17, 87
Enclosure Size	III
Body Material	B12 (Stainless Steel Cast)
Orifice	40mm



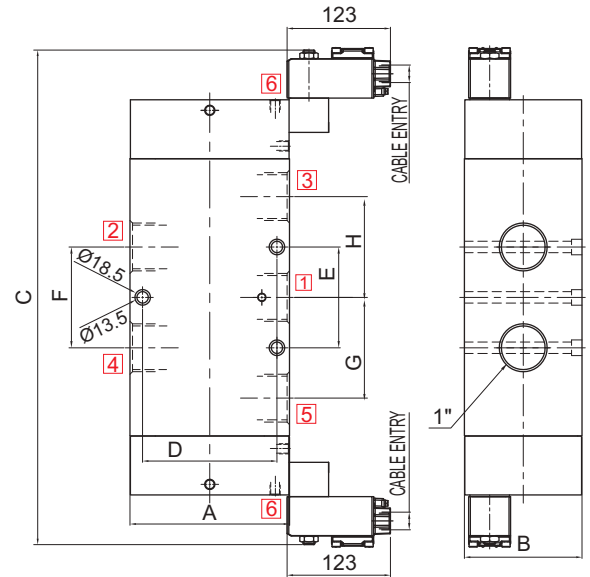
Valve Type	57440V01, 57440V01LW, P5006V01
Enclosure Type	62, 17, 87
Enclosure Size	IV
Body Material	B12 (Stainless Steel Cast)
Orifice	40mm

5/2 INTERNAL PILOT OPERATED, INLINE DOUBLE SOLENOID VALVE

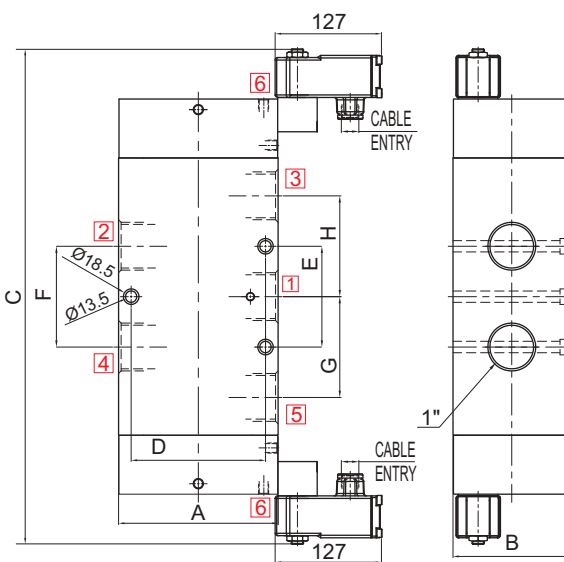
DIMENSIONS All Dimensions are in mm



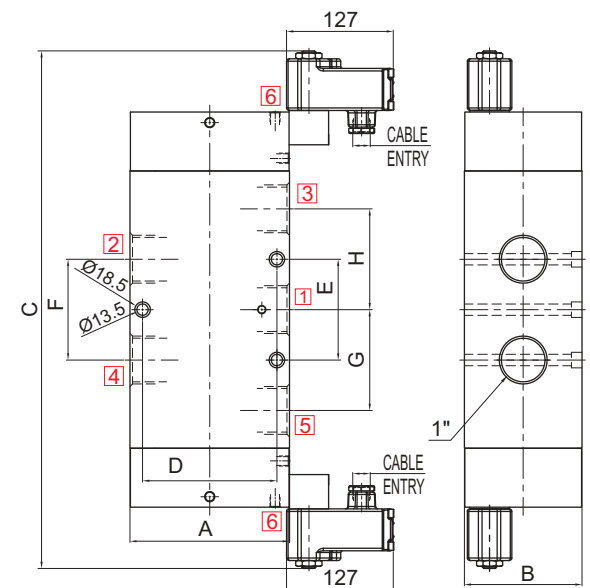
Valve Type	57440
Body Material	SS
Enclosure Type	25
Enclosure Size	III



Valve Type	57440
Body Material	SS
Enclosure Type	16, 19, 37, 39, 58, 58LT
Enclosure Size	III



Valve Type	57440
Body Material	SS
Enclosure Type	17, 87
Enclosure Size	III



Valve Type	57440
Body Material	SS
Enclosure Type	62, 17
Enclosure Size	IV

Valve Type : 57440-50								
NW	A	B	C	D	E	F	G	H
50	190	140	590	160	120	120	120	120