

# Pneumatic Rotary Rack & Pinion Actuator [ DOUBLE ACTING ]

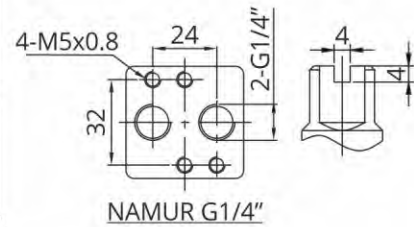
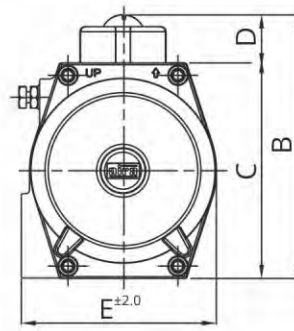
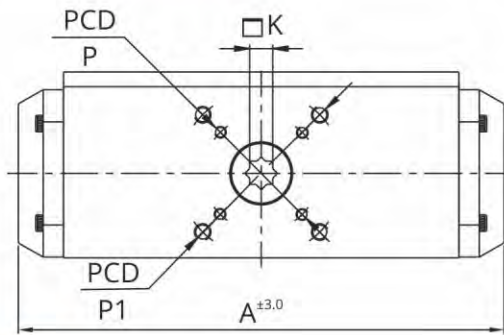
## General Features

- Operating Pressure : 3 to 8 BAR
- Temperature Range : -20 °C to 90 °C
- Air Supply : Filtered, dry or lubricated
- Ext. Protection : Corrosion resistant to 500 hours in slatted fog



SIL 3

**5,00,000 Cycles**



### Dimensions :

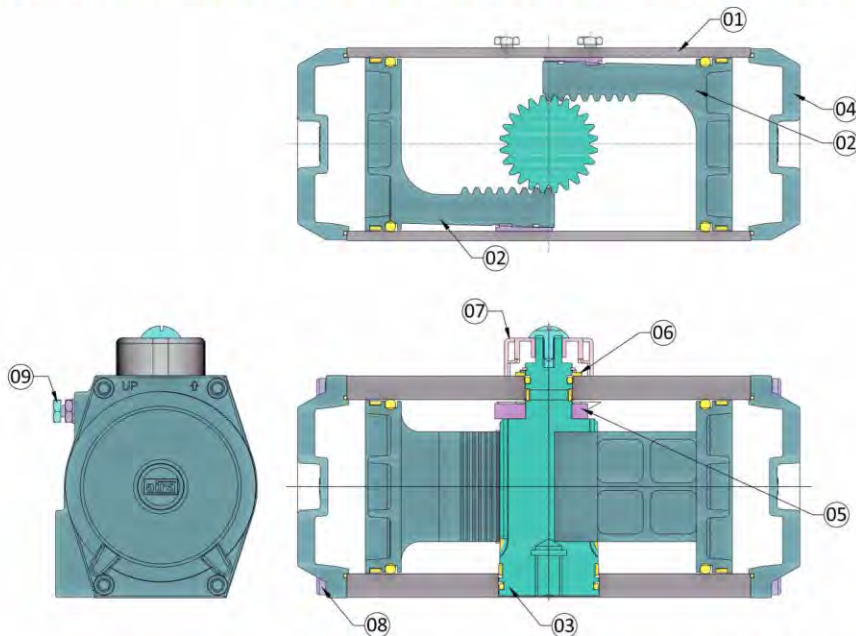
Valve Model	A	B	C	D	E	PCD P	PCD P1	Square □K	WEIGHT (Approx) Kgs.	Air Consumption In Liters / Bar
5412-DD	110	82	54.2	28.25	45	36	50	7X7, 9X9	0.600	On Request
ARA-DD-49-D	130	96.5	69.5	28.29	65	36	50	9X9, 11X11	1.100	0.2
ARA-DD-50-D	153.5	102	74	28.45	72.8	50	70	9X9, 11X11, 13X13, 14X14	1.400	0.25
ARA-DD-63-D	147.5	113.6	87.5	27.4	76	50	70	9X9, 11X11, 13X13, 14X14	2.650	0.43
ARA-DD-75-D	188	126.5	100	28.3	83	50	70	9X9, 11X11, 13X13, 14X14, 15X15, 17X17	2.800	0.66
ARA-DD-83-D	170	135.5	109	28.28	83.2	50	70	11X11, 13X13, 14X14, 17X17	3.300	0.75
ARA-DD-90-D	265.5	145.5	117	28.26	90.9	---	70	11X11, 13X13, 14X14, 15X15, 17X17	5.050	1.37
ARA-DD-110-D	267	166	140	28.3	124.9	70	102	14X14, 17X17, 22X22, 27X27	7.400	2.6
ARA-DD-127-D	312	180	153	28.26	135	102	125	14X14, 17X17, 22X22, 27X27	10.100	3.8
ARA-DD-140-D	364	198	172	38.48	144	102	125	17X17, 22X22, 27X27	14.000	4.1
ARA-DD-160-D	417	228	196	39.43	161	102	125	22X22, 27X27, 36X36	20.750	7.48
ARA-DD-200-D	405	292	253	39.81	210.4	100X150	140	27X27, 36X36	32.600	10.03
ARA-DD-210-D	563.5	292	253	39.81	210.20	100X150	140	27X27, 36X36, 46X46	59.000	10.64
ARM - 240 - D	620	320.2	292.5	28	---	---	165	46 X 46	65.000	On Request
ARM - 270 - D	733.4	364.3	328.4	36	---	---	165	46 X 46	83.500	On Request
ARM - 300 - D	825	393.7	355.7	38	---	---	165	46 X 46	109.500	On Request
ARM - 350 - D	842.2	445.6	410.6	35	---	---	165	46 X 46	147.600	On Request
ARM - 400 - D	926.5	503.6	463.4	40	---	---	165	55 X 55	310.500	On Request

(All Dimensions are in mm)



Note : Since, constant worldwide advancement in technology, We keep our rights reserved to make changes time to time in Technical specifications and Dimensions without prior notice.

# Pneumatic Rotary Rack & Pinion Actuator [ DOUBLE ACTING ]



No.	Description	Material
1	Body	Aluminium Alloy
2	Piston	Aluminium Alloy
3	Shaft	EN 8
4	End Cover	Aluminium Alloy
5	Adaptor	EN 8
6	Shaft Washer	S. S.
7	Indicator	Nylon
8	L. N. Bolt for End Cap	S. S.
9	Adjustable Bolt + Nut + Washer	S. S.
10	All Seals	Hi - Nitrile
11	All Guides	Delrin

## "aira" ACTUATOR SELECTION

### Selection of Double Acting Actuator

- Conclude your required torque valve.
- Increase 15% for an acceptable safety factor. (Safety factor depends on media passing through valve.)
- Now look on torque chart and find near by higher torque value of your required torque.
- The found position shows the model of "aira" actuator & operating pressure in bar we need

### Example

- Suppose we need 55 Nm torque to drive a valve.
- Increase 15%-63.3 Nm for safety factor.
- In below table the nearby higher torque value is 78 at operating pressure 6 bar.
- This indicates to selection the "aira" actuators model ARA-DD-75-D

### DOUBLE ACTING ACTUATOR TORQUE CHART IN Nm

(10Nm = 1 kgfm)

Valve Model	3 BAR	4 BAR	5 BAR	6 BAR	7 BAR
5412-DD	3.60	4.7	6	7.50	8.50
ARA-DD-49-D	9.50	12.6	16	19.5	22.5
ARA-DD-50-D	13.5	18.5	23	27.5	32
ARA-DD-63-D	19	25.5	32	39.5	46.0
ARA-DD-75-D	38	51	65.0	78	90.8
ARA-DD-83-D	42	56	71	85	97
ARA-DD-90-D	84	115.5	145.0	174	202.0
ARA-DD-110-D	135	170	225	265	304
ARA-DD-127-D	206	279	349	423	497
ARA-DD-140-D	301	408	514	620	694
ARA-DD-160-D	439	582	737	892	1064
ARA-DD-200-D	720	950	1182	1420	1650
ARA-DD-210-D	1138	1505	1900	2183	2486
ARM - 240 - D	1221	1628	2031	2445	2849
ARM - 270 - D	1958	2611	3264	3916	4569
ARM - 300 - D	2403	3205	4006	4807	5608
ARM - 350 - D	3598	4798	5998	7197	8397
ARM - 400 - D	5127	6837	8546	10255	11964

Note : Actuator Torques May Vary ±3%



Note : Since, constant worldwide advancement in technology, We keep our rights reserved to make changes time to time in Technical specifications and Dimensions without prior notice.

# Pneumatic Rotary Rack & Pinion Actuator [ SINGLE ACTING ]

## 1. Hard Anodized

Barrel / Body to Protect from Hazardous atmosphere & corrosion, which enhance life of actuator

## 2. Mounting Standard Pinion Top

(As per Namur Standard) The pinion (shaft) top drilled and slotted for easy assembling of switch, positioners and other accessories.

## 3. Adjusting Bolt

Adjusting Bolts for  $0^\circ - 90^\circ \pm 5\%$  Over Travel

## 4. ISO - 5211 Standard Mounting for Valve

(An International Standard) Double bottom drilling for actuator to valve Assembling & centering. Designed for strength and easy mounting or interchangeability.

## 5. ISO - 5211 Standard Pinion Bottom

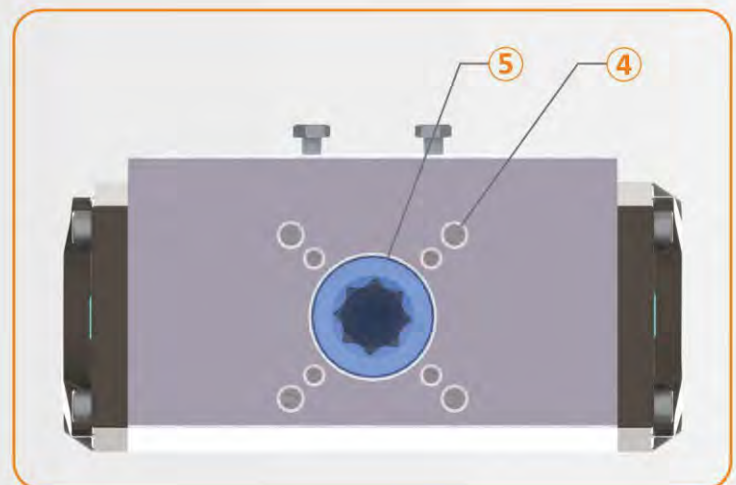
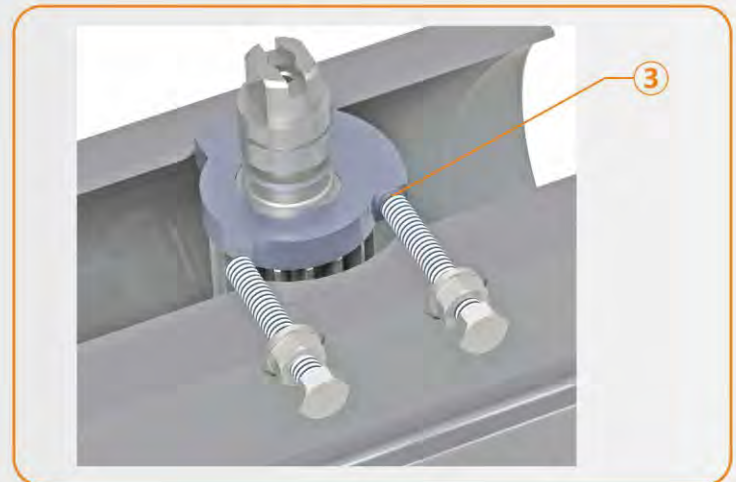
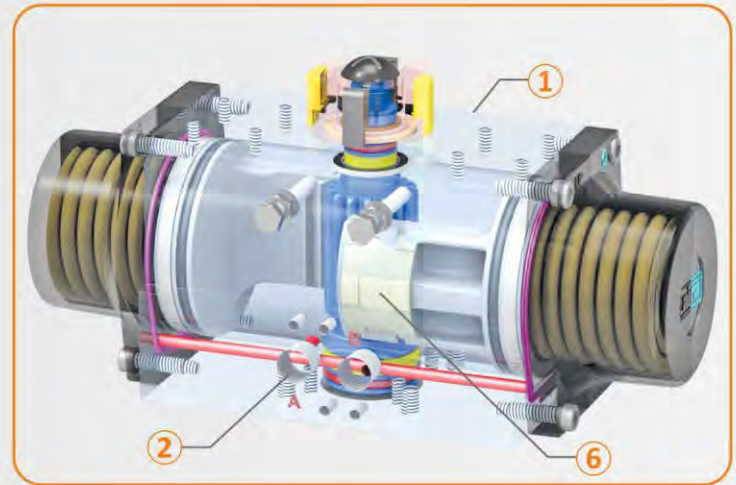
(An International Standard) Bottom of the pinion (Shaft) as female key, double square hole for assembling on valves with square key stem and in line or turned to  $45^\circ$ . Designed for strength and sure-fix with stem

## 6. Sliding Skates

The innovation for replaceable sliding skates, between Pistons (Racks) and internal bore surface of the Actuator, just to avoid metal contact, which enhances the Actuator life

## 7. Compact Design

"aira" Actuators are designed as compact double acting which offers high torque values. Internal sliding surface, machined and anodized for minimum friction and long life of actuator.



# Pneumatic Rotary Rack & Pinion Actuator [ SINGLE ACTING ]

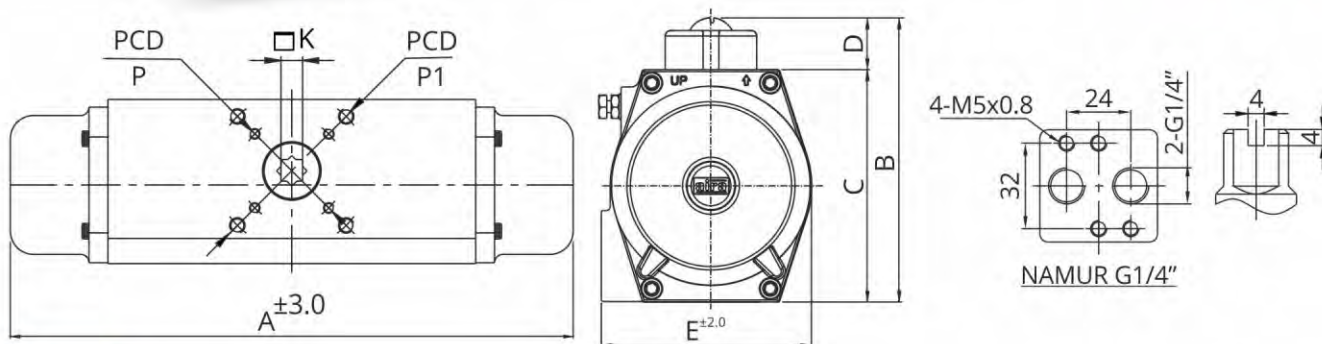


## General Features

- Operating Pressure : 3 to 8 BAR
- Temperature Range : -20 °C to 90 °C
- Air Supply : Filtered, dry or lubricated
- Ext. Protection : Corrosion resistant to 500 hours in slatted fog



SIL 3



### Dimensions :

Valve Model	A	B	C	D	E	PCD P	PCD P1	SQUARE □K	WEIGHT (Approx) Kgs.	Air Consumption In Liters / Bar
ARA-DD-49-S	140.5	98	69.5	28.29	65	36	50	9X9, 11X11	1.250	0.1
ARA-DD-50-S	181.1	101.5	74	28.45	72.8	50	70	9X9, 11X11, 13X13, 14X14	1.600	0.16
ARA-DD-63-S	196	113.6	87.8	27.4	76	50	70	9X9, 11X11, 13X13, 14X14	2.200	0.27
ARA-DD-75-S	254.5	126.5	100	28.3	83	50	70	9X9, 11X11, 13X13, 14X14, 15X15, 17X17	3.750	0.31
ARA-DD-83-S	254.5	135.4	109.4	28.28	83.2	50	70	11X11, 13X13, 14X14, 17X17	3.750	0.53
ARA-DD-90-S	335.4	145.4	117	28.26	90.9	---	70	11X11, 13X13, 14X14, 15X15, 17X17	6.250	0.55
ARA-DD-110-S	335.6	166	140	28.3	124.6	70	102	14X14, 17X17, 22X22, 27X27	9.550	1.13
ARA-DD-127-S	435.1	179	153	28.26	135	102	125	14X14, 17X17, 22X22, 27X27	16.150	1.5
ARA-DD-140-S	489.8	198	172	38.48	144	102	125	17X17, 22X22, 27X27	17.550	1.75
ARA-DD-160-S	626.4	228	196	39.43	161	102	125	22X22, 27X27, 36X36	37.150	3.2
ARA-DD-200-S	550.6	275.2	232.2	39.81	210.4	100X150	140	27X27, 36X36	40.950	7.38
ARA-DD-210-S	777.4	292.3	253.1	39.81	210.20	100X150	140	27X27, 36X36, 46X46	78.650	8.46
ARM - 240 - S	620	320.2	292.5	28	---	---	165	46 X 46	72.400	On Request.
ARM - 270 - S	733.4	364.3	328.4	36	---	---	165	46 X46	104.600	On Request.
ARM - 300 - S	825	393.7	355.7	38	---	---	165	46 X 46	196.600	On Request.
ARM - 350 - S	842.2	445.6	410.6	35	---	---	165	46 X 46	250.500	On Request.
ARM - 400 - S	926.5	503.6	463.4	40	---	---	165	55 X 55	344.500	On Request.

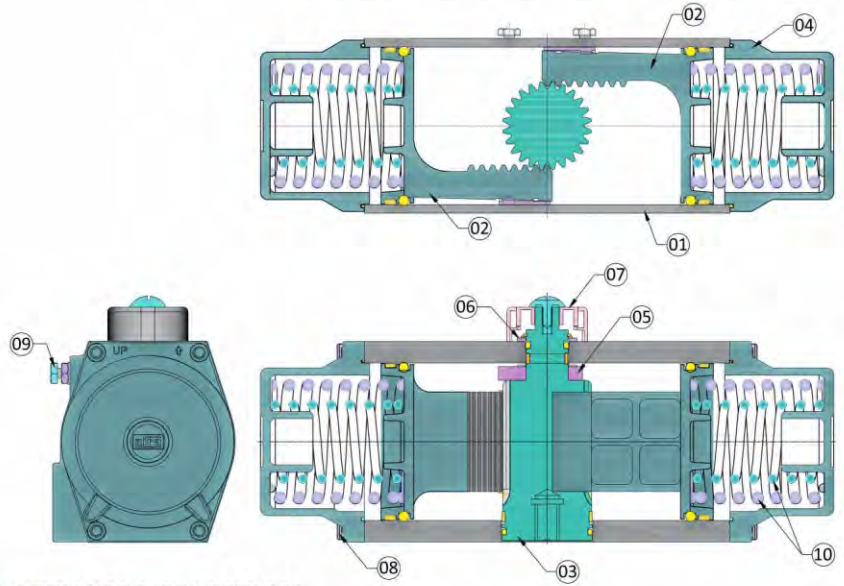
(All Dimensions are in mm)



Note : Since, constant worldwide advancement in technology, We keep our rights reserved to make changes time to time in Technical specifications and Dimensions without prior notice.

# Pneumatic Rotary Rack & Pinion Actuator [ SINGLE ACTING ]

No.	Description	Material
1	Body	Aluminium Alloy
2	Piston	Aluminium Alloy
3	Shaft	EN 8
4	End Cover	Aluminium Alloy
5	Adaptor	EN 8
6	Shaft Washer	S. S.
7	Indicator	Nylon
8	L. N. Bolt for End Cap	S. S.
9	Adjustable Bolt + Nut + Washer	S. S.
10	Spring (RH / LH)	Spring Steel
11	All Seals	Hi - Nitrile
12	All Guides	Delrin



## "aira" ACTUATOR SELECTION

### Selection of Single Acting Actuator

- Conclude your required torque valve.
- Increase 25% for an acceptable safety factor. (Safety factor depends on media passing through valve.)
- Now look on TABLE your required torque value should be nearby higher value of "FIX TORQUE BY SPRING" & "TORQUE BY AIR / GAS PRESSURE"
- The found position shows the model of "aira" actuator & operating pressure in bar we need

### Example

- Suppose we need 120 Nm torque to drive a valve.
- Increase 25%-152 Nm for safety factor.
- In table given below "aira" actuator model ARA-110-S Show 162 Nm "TORQUE BY AIR / GAS PRESSURE AT 6 BAR"

### Actuator Spring Set

Valve Model	ARA-DD-49-S, ARA-DD-50-S, ARA-DD-63-S, ARA-DD-75-S, ARA-DD-83-S, ARA-DD-90-S, ARA-DD-110-S, ARA-DD-127-S, ARA-DD-140-S, ARA-DD-160-S										ARA-DD-200-S / ARA-DD-210-S							
	5	6	7	8	9	10	11	12	13	14	15	16	11	12	13	14	15	16
Spring Set	5	6	7	8	9	10	11	12	13	14	15	16	11	12	13	14	15	16
RH	0	1	2	1	2	2	---	1	2	2	2	2	0	1	2	2	2	2
LH	2	1	0	2	1	2	02	1	0	2	2	2	2	1	0	2	2	2
BIG LH			-----				---	0	0	0	1	2	0	0	0	0	1	2

Valve Model	Spring Set	Torque by Air Pressure				Torque In Nm				10Nm = 1 kgfm			
		Spring		3 BAR		4 BAR		5 BAR		6 BAR		7 BAR	
		Min.	Max.	Min.	Max.	Min.	Max.	Min.	Max.	Min.	Max.	Min.	Max.
ARA-DD-49-S	5	2.3	5.7	3	4	6.5	6.5	9.2	9.8	13.4	13.1	16.7	16.1
*R ARA-DD-49-S	*R 6	2.9	7.5	1.5	2.8	4.8	5.8	7.9	8.9	11.5	12	14.9	14.8
ARA-DD-49-S	7	2.6	9.4		1	3	2	6.2	4.6	9.6	7.8	13.1	10.7
ARA-DD-49-S	8	2.8	10.7		1.2	1.3	2.6	4.5	5.3	8.2	8	11.5	10.7
ARA-DD-49-S	9	3.1	12.8		1.5		3.4	2.6	5.6	5.8	8.1	9.2	11
ARA-DD-49-S	10	7.2	15.2		0.7		1.1		4.2	2.4	7.3	5.2	10.3
ARA-DD-50-S	5	3.1	11.5		10.5	7.1	14.5	12.1	18.8	17.2	22.8	22.5	27.4
*R ARA-DD-50-S	*R 6	5.2	15		7.5	3.6	10.8	8.7	14	13.9	17.3	18.5	21.4
ARA-DD-50-S	7	7	20		7.3	0	10.5	1.5	14.6	6.5	19.2	11.3	24.2
ARA-DD-50-S	8	4.5	13.8		6.5	2.5	11.5	7.7	15.5	12.4	20.5	17.3	25.3
ARA-DD-50-S	9	7	18.5		3.5		8.5	2	13	6.9	17.8	11.7	22.5
ARA-DD-50-S	10	8.2	22.1				6.8		11.9	3.4	16.6	8.2	21.4

Note : \*R Our Recommended Model, (For, Optimum Recommendation, Contact Factory)



Note : Since, constant worldwide advancement in technology, We keep our rights reserved to make changes time to time in Technical specifications and Dimensions without prior notice.

# Pneumatic Rotary Rack & Pinion Actuator [ SINGLE ACTING ]



Valve Model	Spring Set	Torque by Air Pressure				Torque In Nm				10Nm = 1 kgfm			
		Spring		3 BAR		4 BAR		5 BAR		6 BAR		7 BAR	
		Min.	Max.	Min.	Max.	Min.	Max.	Min.	Max.	Min.	Max.	Min.	Max.
*R ARA-DD-63-S	5	4.1	5	4.3	6.7	10.3	12.2	17.4	18	24.6	24.7	31.7	31.7
*R ARA-DD-63-S	*R 6	6.5	8.1	3.6	6.4	10.5	13.6	17.6	20.5	24.7	27.6	31.8	34.7
ARA-DD-63-S	7	11.2	17		5.3		8.6	3.9	12.7	10	18.8	16.7	25.6
ARA-DD-63-S	8	10	16.7	1.5	7.5	9.2	14.6	16.4	21.4	24.1	28.3	30.8	36.5
ARA-DD-63-S	9	13.6	21.5		4	4.5	11.6	11.5	18.7	18.6	25.5	25.7	33.5
ARA-DD-63-S	10	15.7	24.5		2		8.6	4.6	15.3	11.5	22.2	18.3	29.4
ARA-DD-75-S	5	8.3	18.5	17.9	24	31.8	37	44.2	51.5	54.6	65.8	62.4	79
ARA-DD-75-S	6	10	25	12.9	15.6	25	29.2	32	42.8	41	57.6	50	70.9
*R ARA-DD-75-S	*R 7	14.5	30.3	6.2	15.5	13.2	29	19.8	42.7	25.9	56.5	32	70.5
ARA-DD-75-S	8	20	29.7	2.5	13	17	26	30	38	43	51	54.5	63.8
ARA-DD-75-S	9	24.8	35		11	12.1	24.5	24.4	37.4	35	50.2	42	63.3
ARA-DD-75-S	10	25	46.9		0.7		12	11.3	24.8	24.2	37.5	34.5	50.7
ARA-DD-83-S	5	7.5	14.7	32.3	36.6	46.9	50.8	61.5	64.8	76.6	79.2	91.1	93.5
*R ARA-DD-83-S	*R 6	19.4	30	9	23.2	24.2	37.2	39.1	51.8	53.6	66.8	67.9	81.3
ARA-DD-83-S	7	24.6	38.3	3.2	17.2	18.3	31.9	32.7	45.8	47.1	60.3	61.6	74.9
ARA-DD-83-S	8	20.3	37.8		13.2	12.5	27.3	26.6	40.9	41.6	55.6	55.6	69.3
ARA-DD-83-S	9	34.8	53.8		4.5		18.6	14.5	32.6	28.7	46.7	42.4	60.3
ARA-DD-83-S	10	51	78.5		8		12.4		17.6		23.8	12.2	34.4
ARA-DD-90-S	5	9	38.7	44.7	74.9	67.8	106.1	82.3	137.1	88.8	168.7	92.5	199.9
*R ARA-DD-90-S	*R 6	22.6	67.7	8.6	56	39.6	86.5	67.6	117.5	93.4	148.3	101	180
ARA-DD-90-S	7	19.9	110.8		39.5		68.8	30.1	100.7	60.2	132.3	88.6	163.4
ARA-DD-90-S	8	19.2	78.9		45.5	24.5	76	55.5	104	75.5	138.5	95	167.5
ARA-DD-90-S	9	21	119		35		64.5	16	92	47.2	124	79.5	153
ARA-DD-90-S	10	44.1	127.4		31.5		62.8	6.2	93.2	35.4	124.6	63.4	154.2
ARA-DD-110-S	5	47	89	30	78	74	123	117	168	162	214	206	259
*R ARA-DD-110-S	*R 6	58	117		64	41	109	85	152	127	195	170	240
ARA-DD-110-S	7	72	146		44	11	89	54	134	98	178	142	222
ARA-DD-110-S	8	85	165		32		78	22	123	68	167	112	212
ARA-DD-110-S	9	102	192		17		64		111	12	152	19	195
ARA-DD-110-S	10	121	235				34		78	6	123	47	165
ARA-DD-127-S	5	25	72	142	185	202	260	246	336	292	413	325	487
*R ARA-DD-127-S	*R 6	70	164	36	125	111	202	185	278	248	355	302	430
ARA-DD-127-S	7	107	253		85	27	154	100	223	173	297	244	371
ARA-DD-127-S	8	82	187		113	72	189	153	268	203	342	233	415
ARA-DD-127-S	9	144	277		70		145	43	206	62	282	*	358
ARA-DD-127-S	10	150	328		42		118	14	190	87	263	161	337
ARA-DD-140-S	5	58	161	153	233	248	333	300	423	335	509	370	608
*R ARA-DD-140-S	*R 6	92	219	63	212	122	317	130	423	132	528	138	633
ARA-DD-140-S	7	123	285		175	95	277	193	383	219	488	245	597
ARA-DD-140-S	8	119	296	36	205	116	308	137	412	142	515	149	615
ARA-DD-140-S	9	147	377		160		266	110	368	145	471	157	572
ARA-DD-140-S	10	172	459		142	19	245	120	349	216	455	298	557
ARA-DD-160-S	5	85	170	266	368	414	518	566	672	720	831	839	985
ARA-DD-160-S	6	120	241	168	299	316	450	459	597	522	743	586	886
ARA-DD-160-S	7	175	356	44	245	193	392	342	540	480	688	573	833
ARA-DD-160-S	8	163	343	55	246	108	407	136	563	156	718	167	873
ARA-DD-160-S	9	236	430		197	77	351	155	503	183	660	188	810
*R ARA-DD-160-S	*R 10	231	470		171	60	309	202	455	346	604	468	741

Note : \*R Our Recommended Model, (For, Optimum Recommendation, Contact Factory)



Note : Since, constant worldwide advancement in technology, We keep our rights reserved to make changes time to time in Technical specifications and Dimensions without prior notice.

# Pneumatic Rotary Rack & Pinion Actuator [ SINGLE ACTING ]

Valve Model	Spring Set	Torque by Air Pressure				Torque In Nm				10Nm = 1 kgfm			
		Spring		3 BAR		4 BAR		5 BAR		6 BAR		7 BAR	
		Min.	Max.	Min.	Max.	Min.	Max.	Min.	Max.	Min.	Max.	Min.	Max.
ARA-DD-200-S	12	147	251	256	495	417	739	569	977	700	1207	807	1440
ARA-DD-200-S	13	208	361	201	416	370	651	530	885	676	1120	808	1358
*R ARA-DD-200-S	*R 14	306	524	90	304	300	528	485	758	633	995	766	1238
ARA-DD-200-S	15	345	628		245	205	470	410	700	573	922	745	1166
ARA-DD-200-S	16	443	751		170	90	400	260	634	422	870	585	1099
ARA-DD-210-S	11	83	244	18	1118	20	1517	***	1912	***	***	***	***
ARA-DD-210-S	12	106	399	124	1082	130	1460	135	1833	139	***	145	***
ARA-DD-210-S	13	116	567	141	847	197	1237	217	1636	239	***	250	***
ARA-DD-210-S	14	307	815	12	680	20	1070	29	1454	30	1843	31	***
*R ARA-DD-210-S	*R 15	415	1057	4	636	7	1115	10	1385	13	1780	16	*
ARA-DD-210-S	16	475	1195		600	7	995	12	1365	16	1750	*	22

Note : \*R Our Recommended Model, (For, Optimum Recommendation, Contact Factory)

Output Torque of Actuator In Nm													
Air Pressure (Bar)		3		4		5		6		7		Spring Stroke	
Valve Model	Spring Qty.	0° Start	90° End	0° Start	90° End	0° Start	90° End	0° Start	90° End	0° Start	90° End	0° Start	90° End
ARM-240-S	5	924	690.5	1488.1	1154.6							468.5	702
ARM-240-S	6	829.9	550.1	1294	1014.2							562.6	842.4
ARM-240-S	7	736.7	409.7	1200.8	873.8							655.8	982.8
ARM-240-S	8			1107.1	733.4	1571.3	1197.6					749.5	1123.2
ARM-240-S	9			1013.4	593	1477.6	1057.2					843.2	1263.6
ARM-240-S	10			919.7	452.6	1383.9	916.8	1848.1	1381	2312.2	1845.1	936.9	1404
ARM-240-S	11							1754.4	1240.6	2218.5	1704.7	1030.6	1544.4
ARM-240-S	12							1660.7	1100.2	2124.8	1564.3	1124.3	1684.8
ARM-270-S	5	1299.7	971.2	1952.4	1623.9							658.5	987
ARM-270-S	6	1168	773.8	1820.7	1426.5							790.2	1184.4
ARM-270-S	7	1036.3	576.4	1689	1229.1							921.9	1381.8
ARM-270-S	8			1557.3	1031.7	2210	1684.4					1053.6	1579.2
ARM-270-S	9			1425.6	834.3	2078.3	1487					1185.3	1776.6
ARM-270-S	10			1293.9	636.9	1946.6	1289.6	2599.3	1942.3	3252	2595	1317	1974
ARM-270-S	11					1814.9	1092.2	2467.6	1744.9	3120.3	2397.6	1448.7	2171.4
ARM-270-S	12					1683.2	894.8	2335.9	1547.5	2988.6	2200.2	1580.4	2368.8
ARM-300-S	5	1603	1183									800	1220
ARM-300-S	6	1483	1066									920	1337
ARM-300-S	7	1330	844	2132	1646							1073	1559
ARM-300-S	8	1177	621	1979	1423	2780	2224					1226	1782
ARM-300-S	9			1825	1201	2626	2002	3427	2803			1380	2004
ARM-300-S	10			1652	977	2473	1778	3274	2579	4075	3380	1533	2228
ARM-300-S	11							3121	2357	3922	3158	1686	2450
ARM-300-S	12							2815	1878	3686	2679	1922	2929
ARM-350-S	5	2399	1739									1199	1859
ARM-350-S	6	2120	1453									1478	2145
ARM-350-S	7	1874	1096	3074	2296							1724	2502
ARM-350-S	8	1627	738	2827	1938	4027	3138					1971	2860
ARM-350-S	9			2580	1581	3780	2781	4979	3980			2218	3217
ARM-350-S	10			2335	1223	3535	2423	4734	3622	5934	4822	2463	3575
ARM-350-S	11					3288	2066	4487	3265	5690	4465	2710	3932
ARM-350-S	12					3120	1537	4319	2736	5519	3936	2878	4461
ARM-400-S	5	3418	2479									1709	2648
ARM-400-S	6	2922	1670									2205	3457
ARM-400-S	7	2647	1239	4357	2949							2480	3888
ARM-400-S	8	2372	806	4082	2516	5191	4225					2755	4321
ARM-400-S	9			3806	2085	5515	3794	7224	5503			3031	4752
ARM-400-S	10			3531	1652	5240	3361	6949	5070	8658	6779	3306	5185
ARM-400-S	11							6672	4639	8381	6348	3583	5616
ARM-400-S	12							6154	3899	8106	5608	4101	6356

Note : Actuator Torques May Vary ±3%



Note : Since, constant worldwide advancement in technology, We keep our rights reserved to make changes time to time in Technical specifications and Dimensions without prior notice.