

03/2022



⚠ Above stated body materials refer to the valve port connections that get in contact with the media only!

details needed for main valve

- orifice
- port
- pressure regulating range
- flow rate
- media
- media temperature
- ambient temperature

details needed for pneumatic actuation

- nominal voltage
- type of protection
- actuation pressure range min/max

⚠ The valves' technical design is based on media and application requirements. This can lead to deviations from the general specifications shown on the data sheet with regards to the design, sealing materials and characteristics.

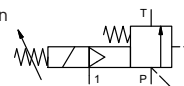
⚠ If order or application specifications are incomplete or imprecise there exists a risk of an incorrect technical design of the valve for the required application. As a consequence, the physical and / or chemical properties of the materials or seals used, may not be suitable for the intended application. To avoid hydraulic shocks in pipelines, the flow velocities must be taken into account when designing valves for liquids.

control valve manual

- pressure range
- orifice
- connection
- function

externally controlled

- PN 5-63 bar
- DN 50 mm
- thread
- stepless pressure regulation



operating principle

body material

externally controlled with spring return

- ①
- ②
- ③
- ④ steel, nickel plated
- ⑤
- ⑥

valve seat

metal on metal

seal materials

FPM, PTFE

ports

HPB threads G 1 1/2

options

SAE connections DIN ISO 6162

function

stepless pressure regulation

pressure regulation range

bar 5-63

flow rate

m³/h 48,0

media

emulsion - oil

abrasive media

P ⇌ T as marked

flow direction

ms < 900

settling time

media temperature

°C 0 to +60

ambient temperature

°C 0 to +50

approvals

mounting holes

mounting

kg 11,9

weight

additional equipment

security valve

nominal voltage

U_n DC 24 V

special voltage upon request

U_n AC 230 V 50 Hz

special voltage upon request

power consumption

DC 4,8 W

2,5 W

protection

AC pick up 11,0 VA holding 8,5 VA

energized duty rating

IP65 (P54) acc. DIN 40050

connection

ED 100%

optional

plug acc. DIN EN 175301-803 form B, 3 positions x90° / wire diameter 6-8 mm

additional equipment

M12x1 connector acc. DESINA

connector acc. VDMA

max. temperature

illuminated plug with varistor

media 60°C

ambient 50°C

explosion proof

E Ex e II T5

nominal voltage U_n DC 24 V 3,25 W

power consumption AC 230 V 50 Hz 2,90 W

pneumatic specifications

options

bar see actuation pressure-diagram

DIN ISO 8573-1 grade of compressed air quality 5/4/3

preferably 3/2 way pilot valve during low pressure circulation mode

1 G 1/8

actuation pressure range

compressed air

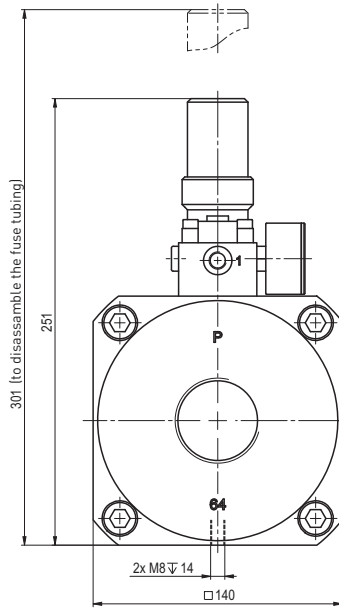
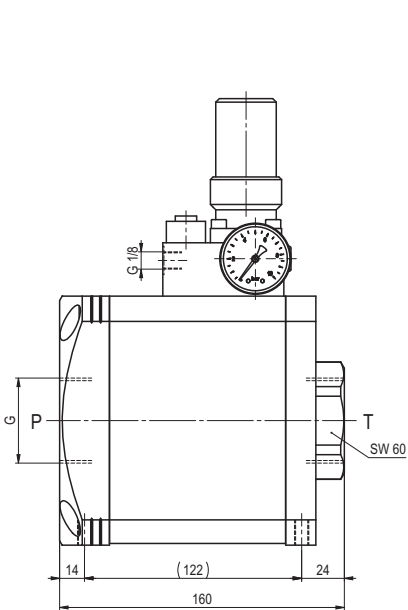
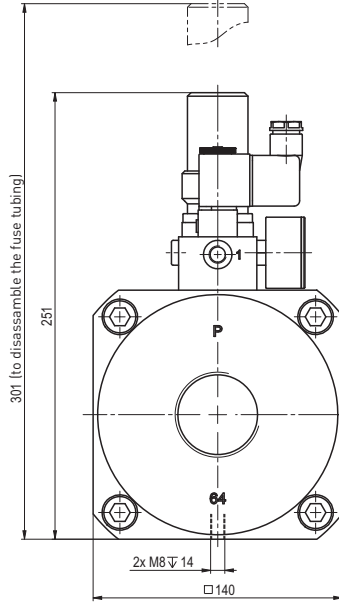
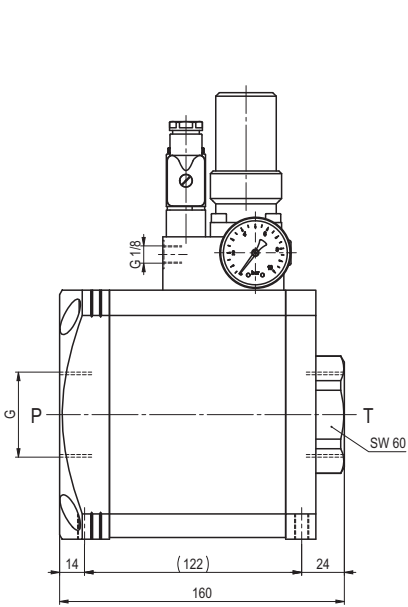
control

actuator ports

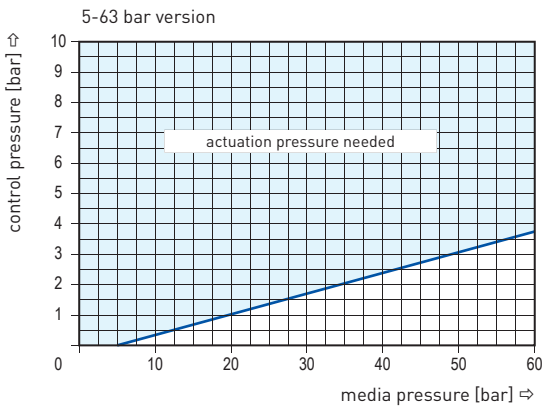
■ specifications not highlighted are standard
 ■ specifications highlighted in grey are optional

coax® data sheet - pressure limitation valve

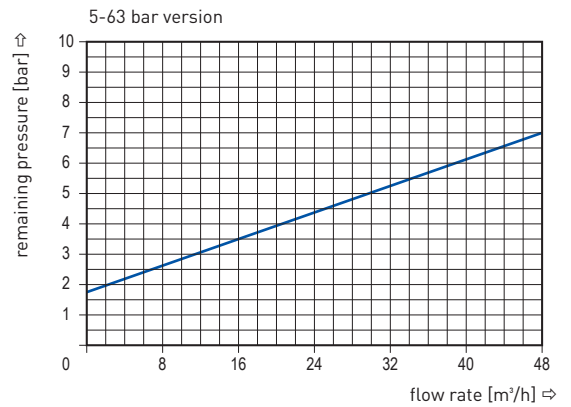
type HPB-S 50



actuation pressure-diagram



pressureless circulation mode



Sound creation during low pressure circulation mode and flow $Q=48 \text{ m}^3/\text{h}$ ca. 74 dBa