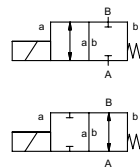


# lateral valve

## type RSV 50



**2/2 way valve** direct acting  
**pressure range** PN 0-10 bar  
**orifice** DN 50 mm  
**connection** thread  
**function** valve normally closed symbol **NC**  
 valve normally open symbol **NO**



**⚠** Above stated body materials refer to the valve port connections that get in contact with the media only!

**design** pressure balanced, with spring return  
**body materials** ① brass  
 ③ brass, nickel plated

**valve seat seal materials** synthetic resin on metal  
 NBR **FPM**

**details needed**

- orifice
- port
- function NC/NO
- operating pressure
- flow rate
- media
- media temperature
- ambient temperature
- nominal voltage

**general specifications**

**options**

ports	RSV	threads G 2	
function		NC	NO
pressure range	bar	0-10	
Kv value	m³/h	19,0	
vacuum		low vacuum	
pressure-vacuum	P1 ⇄ P2		upon request
back pressure	P2 > P1		
media		gaseous - liquid	
abrasive media			
damping	opening		
	closing		
flow direction	A ⇄ B	as marked	
switching cycles	1/min	70	
switching time	ms	opening 150 closing 250	
media temperature	°C	DC: -10 to +80 AC: -10 to +80	
ambient temperature	°C	DC: -10 to +80 AC: -10 to +80	
limit switches			
manual override			
approvals			
mounting			mounting bracket/mounting holes
weight	kg	8,4	
additional equipment			upon request

**electrical specifications**

**options**

nominal voltage	U <sub>n</sub>	24 V DC	special voltage upon request
	U <sub>n</sub>	230 V 40-60 Hz AC	special voltage upon request
actuation	DC	direct-current magnet	
	AC	direct-current magnet with integrated rectifier	
insulation rating	H	180°C	
protection	IP65		
energized duty rating	ED	100%	
connection		plug acc. DIN EN 175301-803 form A, 4 positions x 90° / wire diameter 6-8 mm	terminal box M16x1,5
optional additional equipment		illuminated plug with varistor	
current consumption	N-coil	24 V DC 2,00 A 230 V 40-60 Hz AC 0,27 A	
explosion proof			
limit switches			

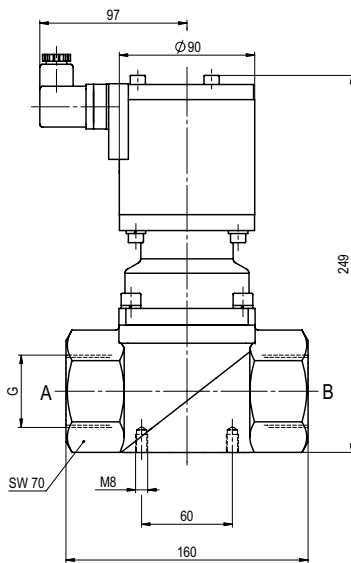
**⚠** The valves' technical design is based on media and application requirements. This can lead to deviations from the general specifications shown on the data sheet with regards to the design, sealing materials and characteristics.

**⚠** If order or application specifications are incomplete or imprecise there exists a risk of an incorrect technical design of the valve for the required application. As a consequence, the physical and / or chemical properties of the materials or seals used, may not be suitable for the intended application.

■ specifications not highlighted are standard  
 ■ specifications highlighted in grey are optional

## type RSV 50

function: **NC**  
closed when not energized



## type RSV 50

function: **NO**  
open when not energized

