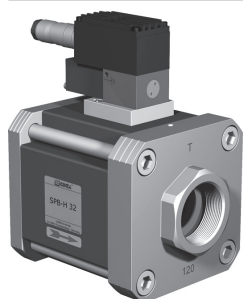
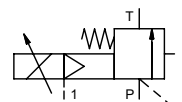


# pressure limitation valve

## type SPB-H 32



**control valve** proportional  
**pressure range** PN 5-120 bar  
**orifice** DN 32 mm  
**connection** thread  
**function** stepless pressure regulation bypass version



**⚠** Above stated body materials refer to the valve port connections that get in contact with the media only!

**design** externally controlled with spring return  
**body materials** ① ④  
 ② steel, galvanized ⑤  
 ③ ⑥  
**valve seat** metal on metal  
**seal materials** FPM, PTFE

**details needed for main valve**

- orifice
- port
- pressure regulating range
- flow rate
- media
- media temperature
- ambient temperature

**details needed for proportional valve**

- nominal voltage
- actuation pressure range min/max

ports		general specifications		options	
SPB	threads G 1 1/2	function	stepless regulation	SAE connection DIN ISO 6162	
pressure regulation range	bar 5-120	Kv value	m <sup>3</sup> /h 14,4		
media	liquid - highly viscous - contaminated	abrasive media			
flow direction	P ⇌ T as marked	operating time	ms < 900		
media temperature	°C 0 to +60	ambient temperature	°C 0 to +50		
approvals		mounting	mounting holes		
weight	kg 8,4	additional equipment			

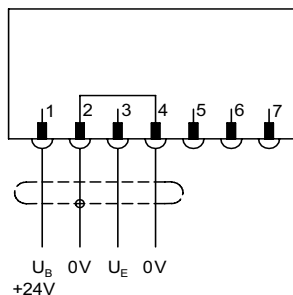
electrical specifications		options	
nominal voltage	U <sub>B</sub> DC 24 V (max. residual ripple 10%)		
power consumption	DC < 0,7 A		
control signals	U <sub>E</sub> 0-10 V (R <sub>e</sub> 100KΩ)		
protection	IP65 acc. DIN 40 050		
energized duty rating	ED 100% (observe the connection conditions accordingly)		
connection	plug with 7 contacts / wire diameter 6-8 mm		

pneumatic specifications		options	
actuation pressure range	bar see actuation pressure-diagram		
air consumption	DIN ISO 8573-1 grade of compressed air quality 5/4/3		
control	by 3/2-way proportional valve		
actuator ports	1 G 1/8		

**⚠** The valves' technical design is based on media and application requirements. This can lead to deviations from the general specifications shown on the data sheet with regards to the design, sealing materials and characteristics.

**⚠** If order or application specifications are incomplete or imprecise there exists a risk of an incorrect technical design of the valve for the required application. As a consequence, the physical and / or chemical properties of the materials or seals used, may not be suitable for the intended application.

**connection plan**



**connection conditions**

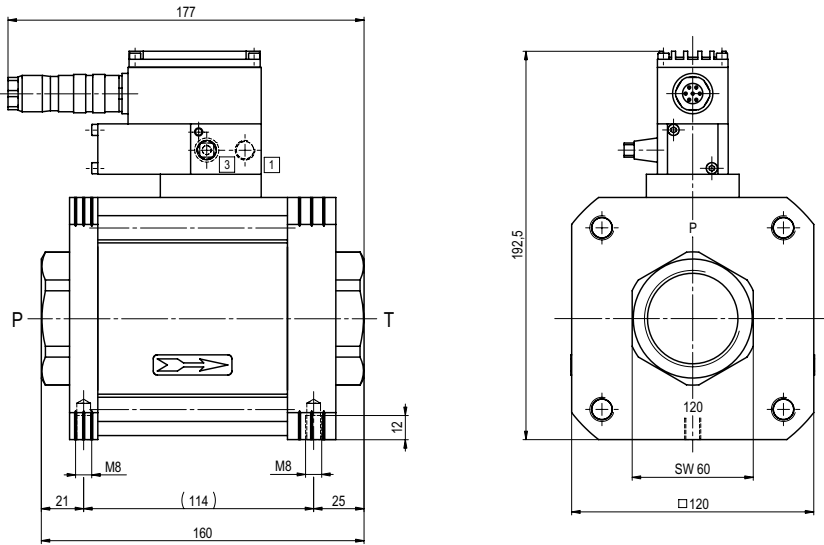
When supplying the electrical set point signal to the proportional valve, the actuating air must already be present. (see actuation pressure-diagram)

**position of installation**

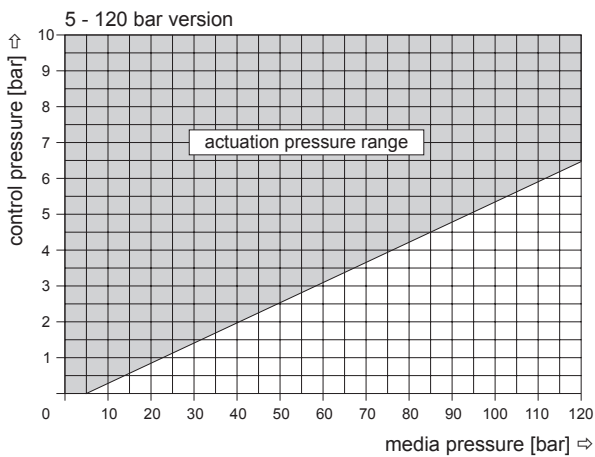
arbitrarily, but regulator not downwards

■ specifications not highlighted are standard  
 ■ specifications highlighted in grey are optional

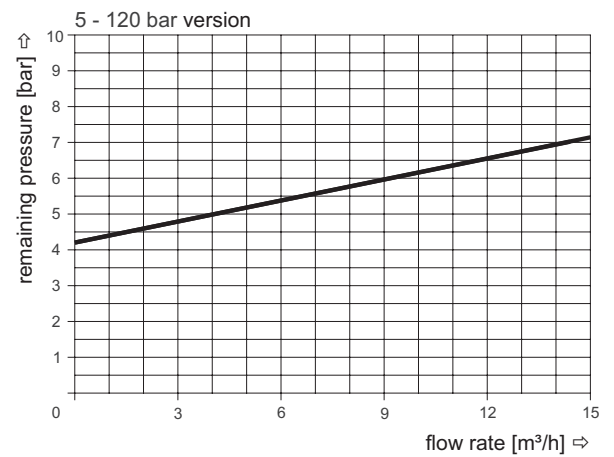
# type **SPB-H 32**



## actuation pressure-diagram



## pressureless circulation mode



**Sound creation during low pressure circulation mode and flow  $Q=14,4 \text{ m}^3/\text{h}$ : ca. 70 dbA**