

pressure limitation valve

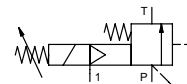
type HPB-H 32

3-HPB-H 32

valve type with pilot valve



control valve manual externally controlled
pressure range PN 5-120 bar
orifice DN 32 mm
connection thread
function manual stepless pressure regulation



⚠ Above stated body materials refer to the valve port connections that get in contact with the media only!

design externally controlled with spring return
body materials ① ④
 ② steel, galvanized ⑤
 ③ ⑥
valve seat metal on metal
seal materials FPM, PTFE

details needed for main valve

- orifice
- port
- pressure regulating range
- flow rate
- media
- media temperature
- ambient temperature

details needed for pneumatic actuation

- nominal voltage
- type of protection
- actuation pressure range min/max

ports		HPB	threads G 1 1/2	options	SAE connection DIN ISO 6162
function			stepless regulation		
pressure regulation range	bar		5-120		
	Kv value		14,4		
media			liquid - highly viscous - contaminated		
abrasive media					
flow direction	P ⇌ T		as marked		
operating time	ms		< 900		
media temperature	°C		0 to +60		
ambient temperature	°C		0 to +50		
approvals					
mounting			mounting holes		
weight	kg		8,3		
additional equipment					security valve

electrical specifications

nominal voltage		U _n	24 V DC	options	special voltage upon request
		U _n	230 V 50 Hz AC		special voltage upon request
power consumption	DC		4,8 W		2,5 W
	AC		pick up 11,0 VA holding 8,5 VA		
protection	IP 65 (P54)		acc. DIN 40 050		
energized duty rating	ED		100%		
connection			plug acc. DIN EN 175301-803 form B		
additional equipment			illuminated plug with varistor		
optional	M12x1		connector acc. DESINA		connector acc. VDMA
coil			3 positions x 90° / wire diameter 6-8 mm		
max. temperature	media		60°C		
	ambient		50°C		
explosion proof	EEx m II T5		nominal voltage U _n		direct current 24 V 3,25 W
			power consumption		alternating current 230 V 50 Hz 2,90 W

pneumatic specifications

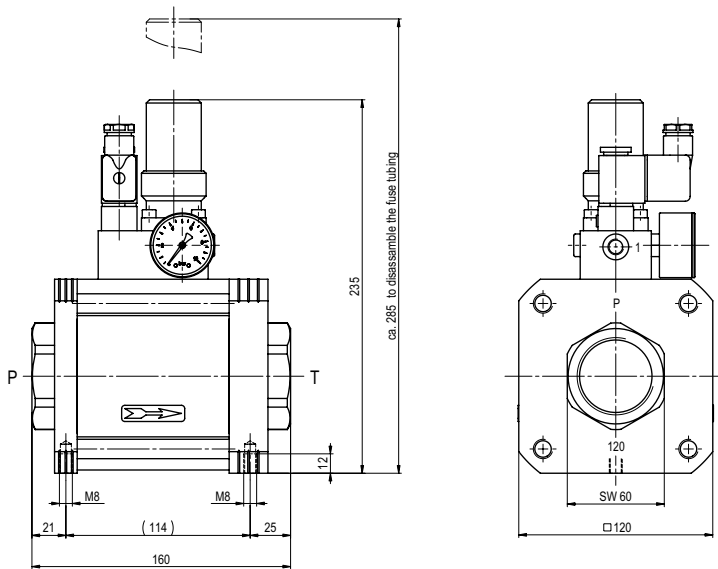
actuation pressure range		bar	see actuation pressure-diagram	options	
air consumption			DIN ISO 8573-1 grade of compressed air quality 5/4/3		
control			preferably 3/2-way pilot valve during low pressure circulation mode		
actuator ports	1		G 1/8		

⚠ The valves' technical design is based on media and application requirements. This can lead to deviations from the general specifications shown on the data sheet with regards to the design, sealing materials and characteristics.

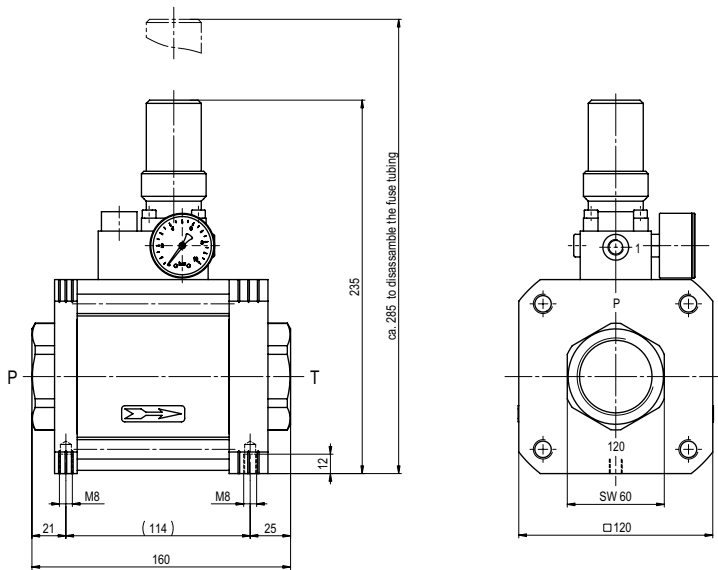
⚠ If order or application specifications are incomplete or imprecise there exists a risk of an incorrect technical design of the valve for the required application. As a consequence, the physical and / or chemical properties of the materials or seals used, may not be suitable for the intended application.

■ specifications not highlighted are standard
 ■ specifications highlighted in grey are optional

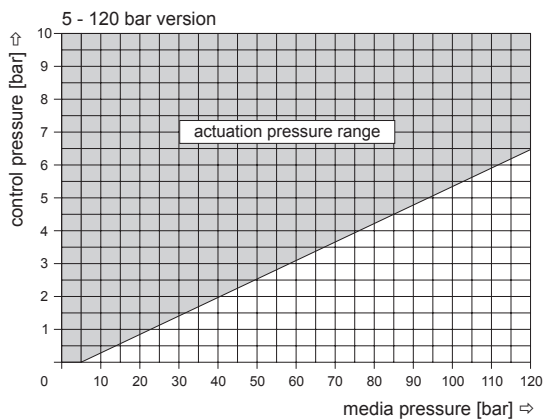
type 3-HPB-H 32



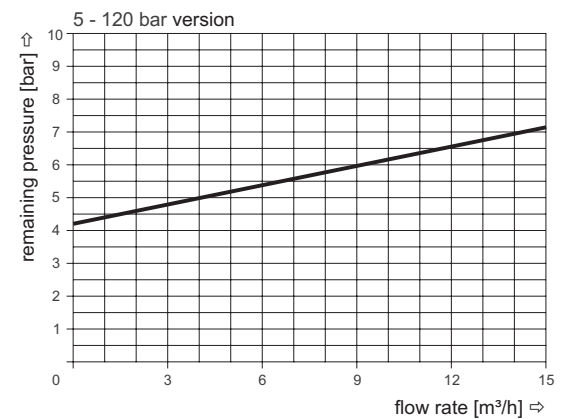
type HPB-H 32



actuation pressure-diagram



pressureless circulation mode



Sound creation during low pressure circulation mode and flow $Q=14,4 \text{ m}^3/\text{h}$: ca. 70 dbA

The application-specific layout relating to temperature, pressure conditions, switching behavior, media and its consistency may restrict the range of use or necessitate relevant modifications to materials used and seal arrangements.

Rights reserved to make technical alterations • Not responsible for printing errors • Detailed drawings can be obtained upon request