

Aseptic Right Angle Control Valve 6021

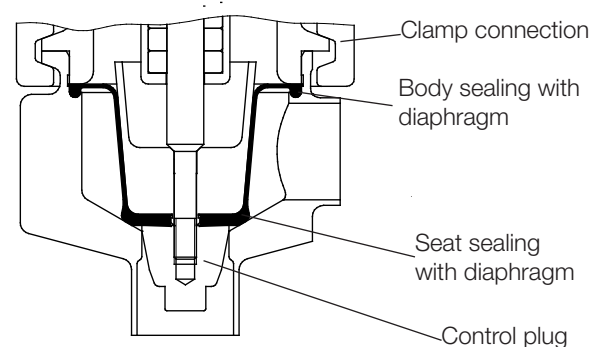
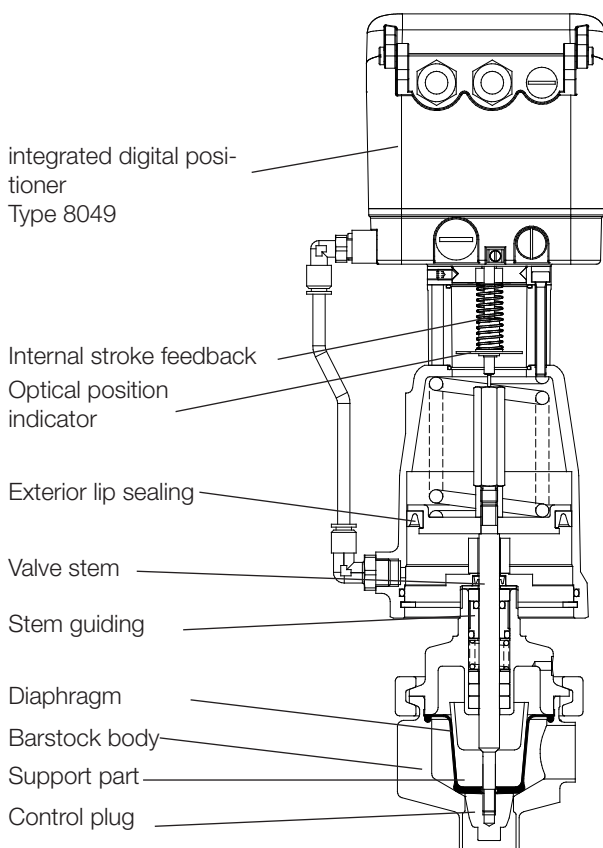
DN 15 up to DN 40

with integrated digital positioner for applications in pharmaceutical and food industry, Type 8049

SCHUBERT & SALZER
CONTROL SYSTEMS

Pneumatic control valve in right angle design with integrated microprocessor positioner for applications in pharmaceutical and food industry.

- EHEDG-approval
- Compact design
- Body made from non-porous barstock material
- Actuator and positioner casing made from stainless steel (option)
- Trim with diaphragm
- No permanent air consumption
- No moving parts are accessible from the outside
- Function independent from valve mounting position and supply pressure
- Not sensitive to vibrations
- Flexible selection of flow characteristics via software



Soft sealing with EPDM diaphragm or silicon diaphragm

Aseptic Right Angle Control Valve 6021

with integrated digital positioner



Technical Information Valve

Body material	Stainless steel 1.4435		
Nominal sizes	DN 15, DN 25, DN 40 (DN20 in inch)		
Connections	Welding ends DIN 11850 series 2 Welding ends ISO Welding ends inch Tri-clamp acc. inch		
Nominal pressure	PN 16		
Diaphragm	EPDM diaphragm FDA		
	Silicon diaphragm/ Silicon diaphragm USP cl. IV		
Fluid temperature	-20°C up to +135°C EPDM -20°C up to +175°C Silicon		
Sterilisation temperature	max. 150°C up to 30 min. EPDM		
Rangeability	50 : 1		
Hysteresis	< 0,5 %		
Surface finish	inside	polished, Ra < 0,6 µm electropolished, Ra < 0,4 µm electropolished, Ra < 0,25 µm	

Materials

Valve Body	Stainless steel 1.4435
Actuator	Stainless steel 1.4408 (optional: plastic)
Diaphragm actuator	Stainless steel 1.4301
Actuator springs	Stainless steel 1.4310
Valve stem	Stainless steel 1.4404, roller burnished
Control plug	Stainless steel 1.4435
Clamp-connection	Stainless steel 1.4308
Body sealing	EPDM diaphragm , silicon diaphragm (DN15 up to DN25)
Seating seal	EPDM diaphragm , silicon diaphragm (DN15 up to DN25)
Body positioner	Aluminium, filled PA, optional: stainless steel 1.4305
Body position indicator	PA Trogamid T 5000 (clear)

Positioner

For technical information of our positioners please refer to the corresponding data sheets.

Kvs- Values

characteristic	linear				equal percentage			
	15	20	25	40	15	20	25	40
DN	15	20	25	40	15	20	25	40
full	4	4	10	25	4	4	10	20
reduced (63 %)	2,5	2,5	6,3	16	2,5	2,5	6,3	15
reduced (40 %)	1,6	1,6	4	10	1,6	1,6	4	-
reduced (25 %)	1	1	2,5	-	-	-	2,5	-
reduced (16 %)	0,63	0,63	1,6	-	-	-	1,6	-
reduced (10 %)	0,4	0,4	1	-	-	-	-	-
reduced (6,3 %)	-	-	0,63	-	-	-	-	-
reduced (4 %)	-	-	0,4	-	-	-	-	-
reduced (2,5 %)	0,1	0,1	-	-	-	-	-	-
stroke (mm)	16							

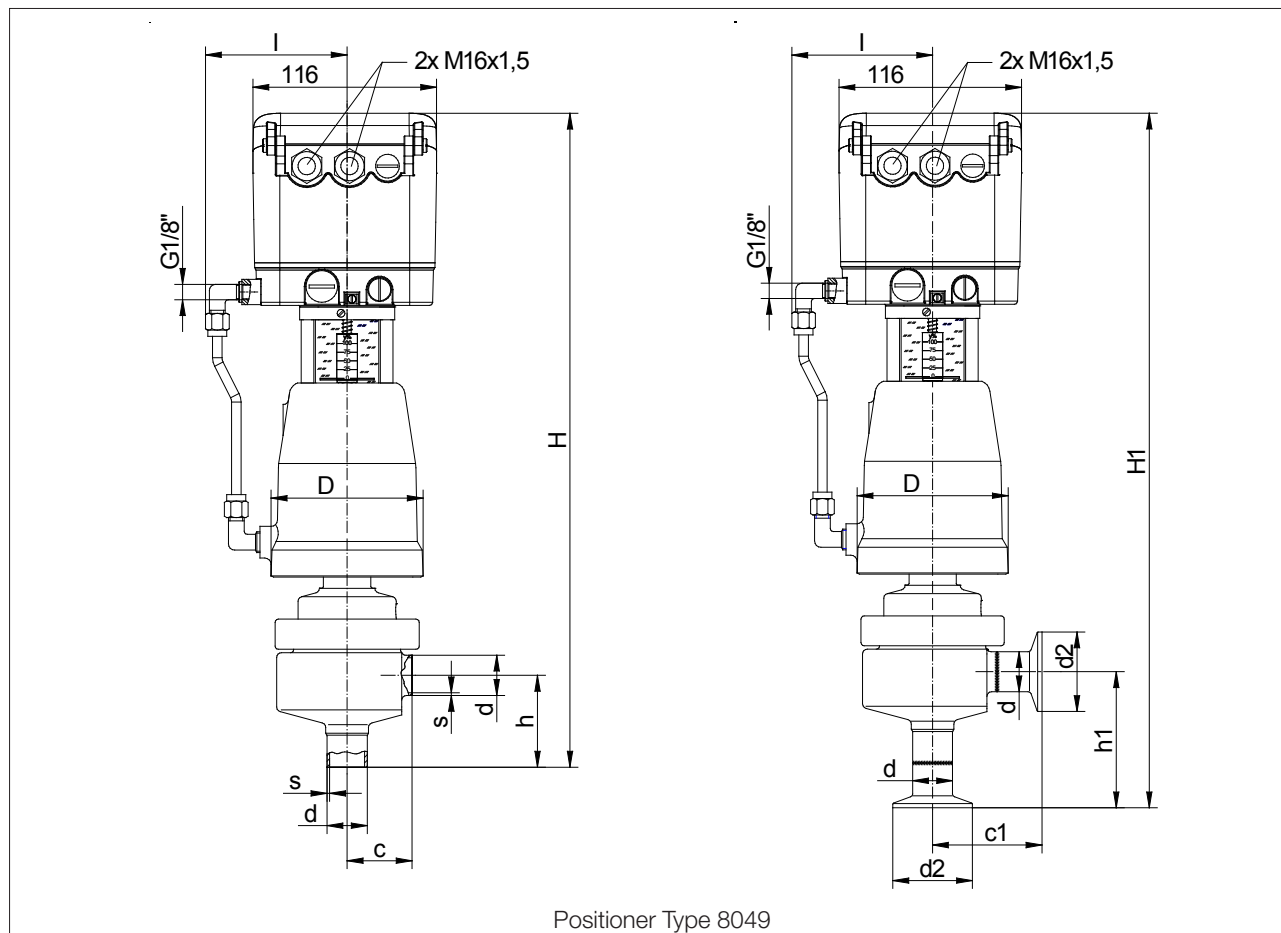
DN20 only in inch available

Aseptic Right Angle Control Valve 6021

with integrated digital positioner



Dimensions and Weights



Positioner Type 8049

DN	Actuator Ø	D	DIN				ISO				Inch				l	H	Weight (~kg)
			d	s	c	h	d	s	c	h	d	s	c	h			
15	80	96	19	1,5	43	54,5	21,3	1,6	43	53,5	12,7	1,65	43	57	80	408	4,8
15	125	146	19	1,5	43	54,5	21,3	1,6	43	53,5	12,7	1,65	43	57	105	428	7,5
20	80	96	-	-	-	-	-	-	-	-	19,05	1,65	43	54,5	80	408	4,8
20	125	146	-	-	-	-	-	-	-	-	19,05	1,65	43	54,5	105	428	7,5
25	80	96	29	1,5	41	49,5	33,7	2	41	47	25,4	1,65	41	51	80	408	5,3
25	125	146	29	1,5	41	49,5	33,7	2	41	47	25,4	1,65	41	51	105	428	8,0
40	125	146	41	1,5	48	59	48,3	2	48	55	38,1	1,65	48	60	105	444	9,3

DN	Actuator Ø	D	Tri-clamp				l	H1	Weight (~kg)
			d	d2	c1	h1			
15	80	96	12,7	25	71,5	85,5	80	437	4,8
15	125	146	12,7	25	71,5	85,5	105	457	7,5
20	80	96	19,05	25	71,5	83	80	437	4,8
20	125	146	19,05	25	71,5	83	105	457	7,5
25	80	96	25,4	50,5	69,5	79,5	80	437	5,3
25	125	146	25,4	50,5	69,5	79,5	105	457	8,0
40	125	146	38,1	50,5	87	99	105	483	9,3

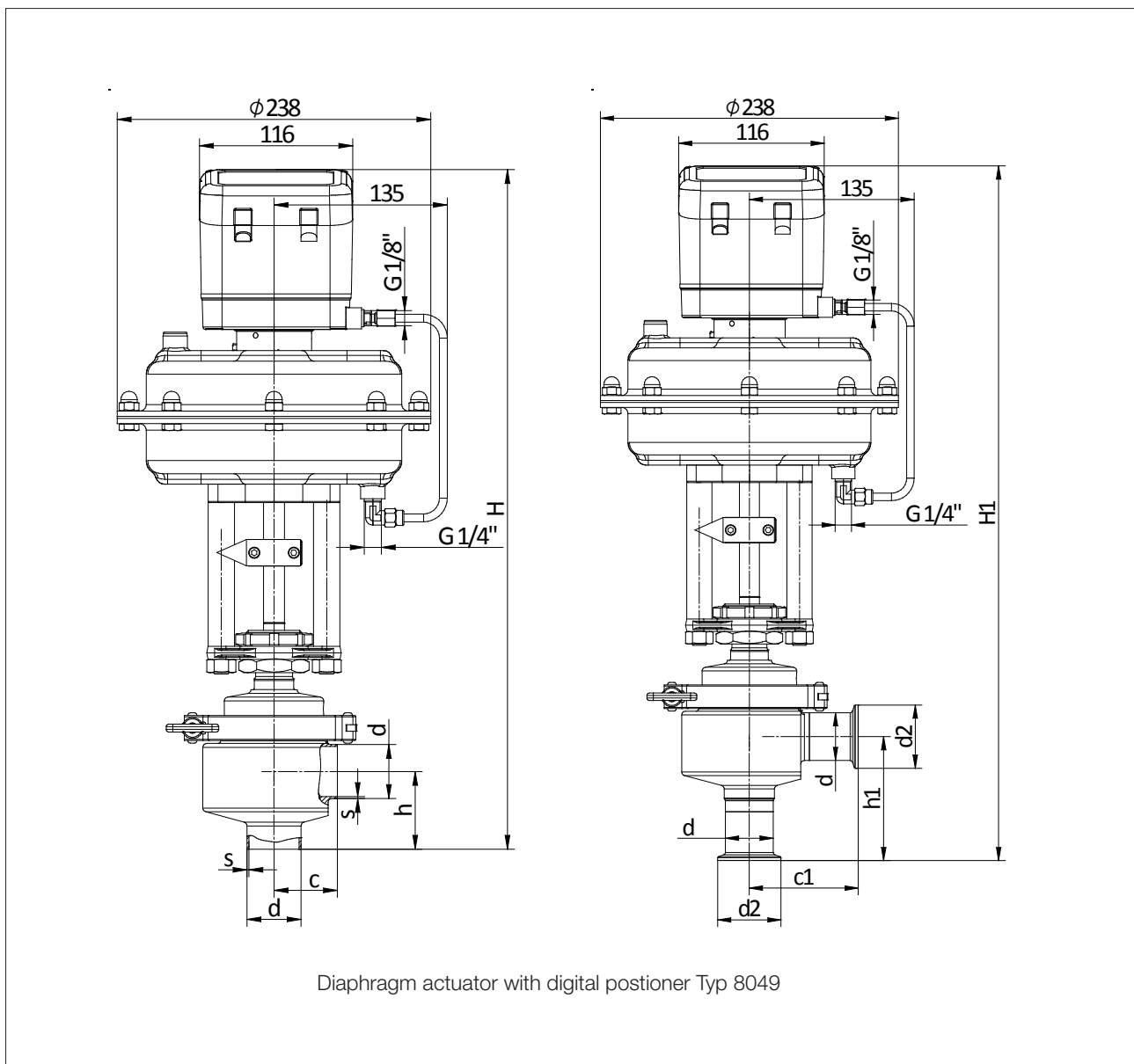
Dimensions in mm

Aseptic Right Angle Control Valve 6021

with integrated digital positioner



Dimensions and Weights



Text and pictures are not binding. We reserve the right, to alter the equipment.

DN	Actuator Ø	DIN				ISO				Inch				H	Weight (~kg)
		d	s	c	h	d	s	c	h	d	s	c	h		
15	250	19	2	43	55	21	2	43	54	13	2	43	57	500	16
20	250	-	-	-	-	-	-	-	-	19	2	43	55	500	16
25	250	29	2	41	50	34	2	41	47	25	2	41	51	500	16
40	250	41	2	48	59	48	2	48	55	38	2	48	60	520	17

DN	Actuator Ø	Tri-clamp				H1	Weight (~kg)
		d	d2	c1	h1		
15	250	13	25	72	86	530	15,5
20	250	19	25	72	83	530	15,5
25	250	25	51	70	80	530	16,0
40	250	38	51	87	99	555	17,3

Dimensions in mm