

coaxial valve

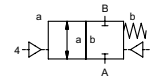
type FCF-K 125

5-FCF-K 125

valve type with pilot valve



2/2 way valve externally controlled
pressure range PN 0-40 bar
orifice DN 125 mm
connection flange
function valve normally closed symbol **NC**



⚠ Above stated body materials refer to the valve port connections that get in contact with the media only!

design pressure balanced, with spring return
body materials ① aluminium ②
 ③ ⑤
 ④ ⑥
valve seat synthetic resin on metal
seal materials NBR, PU PTFE, FPM, PE

details needed for main valve

- orifice
- port
- function NC
- operating pressure
- flow rate
- media
- media temperature
- ambient temperature
- type of actuation

details needed for pneumatic actuation

- nominal voltage
- type of protection
- actuation pressure range min/max
- pilot valve type

details needed for hydraulic actuation

- actuation pressure range min/max
- hydraulic control valve function

⚠ The valves' technical design is based on media and application requirements. This can lead to deviations from the general specifications shown on the data sheet with regards to the design, sealing materials and characteristics.

⚠ If order or application specifications are incomplete or imprecise there exists a risk of an incorrect technical design of the valve for the required application. As a consequence, the physical and / or chemical properties of the materials or seals used, may not be suitable for the intended application.

■ specifications not highlighted are standard
 ■ specifications highlighted in grey are optional

general specifications		options
ports	FCF-K flanges PN 16/40	
function	NC	
pressure range	bar 0-16/0-40	
Kv value	m³/h 221	
vacuum	leak rate < 10 ⁻⁴ mbar·l·s ⁻¹	
pressure-vacuum	P ₁ ⇄ P ₂	pressure side max. 40 bar vacuum side leak rate upon request
back pressure	P ₂ > P ₁	available (max. 16 bar)
media	emulsions - oils - neutral gases	other medias upon request
abrasive media		
damping	opening by throttles on pilot valve	
flow direction	A ⇄ B as marked	bi-directional upon request (max. 16 bar)
switching cycles	1/min 30	
switching time	ms opening 700-3000 closing 450-3000	
media temperature	°C direct mounted pilot valve 60	>60°C upon request
ambient temperature	°C direct mounted pilot valve 50	>50°C upon request
flush ports		
leak ports		
limit switches		
manual override	via pilot valve	
approvals		upon request
mounting		
weight	kg FCF-K 42.0	
additional equipment	sensor / manometer connection G 1/4	

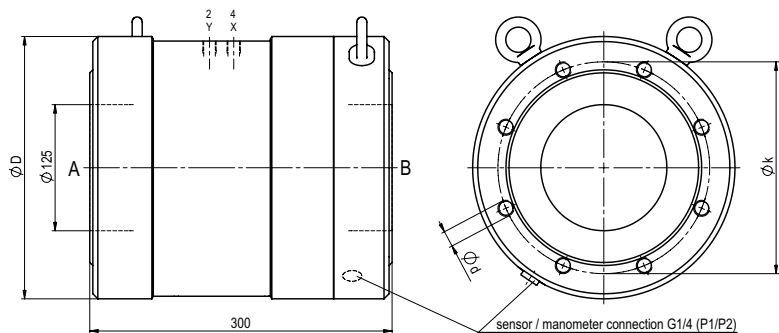
electrical specifications		options
nominal voltage	U _n DC 24V	special voltage upon request
	U _n AC 230V 50 Hz	special voltage upon request
power consumption	DC 4,8 W	
	AC pick up 11,0 VA holding 8,5 VA	
protection	IP 65 (P54) acc. DIN 40 050	
energized duty rating	ED 100%	
connection	plug acc. DIN EN 175301-803 form B, 4 positions x 90° / wire diameter 6-8 mm	
additional equipment	illuminated plug with varistor	
optional	connector acc. DESINA	connector acc. VDMA
M12x1		
media	60°C	
ambient	50°C	
explosion proof	EEx m II T5 nominal voltage U _n	direct current 24 V 3,25 W
	power consumption	alternating current 230 V 50 Hz 2,90 W

pneumatic specifications		options
actuation pressure range	bar 4-10	3-10 upon request
air consumption	cm³/stroke 480	
cycle speed	main valve speed variable by throttles on pilot valve	
control	preferably 5/2-way pilot valve	
pilot valve interface	NAMUR VDI / VDE 3845	ISO 1 DIN 5599/1
actuator ports	2/4 G 1/4	G 3/8

hydraulic specifications		options
actuation pressure range	bar 30-60	
by media		
control	preferably 4/2-way control valve	
actuator ports	X/Y G 1/4	NPT 1/4

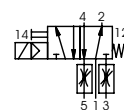
type FCF-K 125

function: **NC**
closed when not energized

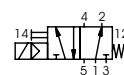


flanges PN	DIN	$\varnothing D$	$\varnothing k$	$\varnothing d$
16	2633	260	210	M16
40	2635	280	220	M24

pneumatic actuation (separately)



5/2-way-pilot valve
flow rate 700 l/min
pressure range 3-10 bar G 1/8



5/2-way-pilot valve ISO 1
flow rate 700 l/min
pressure range 3-10 bar G 1/4

The application-specific layout relating to temperature, pressure conditions, switching behavior, media and its consistency may restrict the range of use or necessitate relevant modifications to materials used and seal arrangements.

Rights reserved to make technical alterations • Not responsible for printing errors • Detailed drawings can be obtained upon request