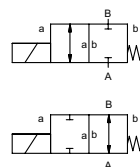


# coaxial valve

type **MK 50**  
**FK 50**



**2/2 way valve** direct acting  
**pressure range** PN 0-16 bar  
**orifice** DN 50 mm  
**connection** thread/flange  
**function** valve normally closed symbol **NC**  
valve normally open symbol **NO**



**⚠** Above stated body materials refer to the valve port connections that get in contact with the media only!

**design** pressure balanced, with spring return  
**body materials** ① brass ② steel, galvanized  
③ brass, nickel plated ⑤ without non-ferr. metals  
④ steel, nickel plated ⑥ stainless steel  
**valve seat** synthetic resin on metal  
**seal materials** NBR PTFE, FPM, CR, EPDM

**details needed**

- orifice
- port
- function NC/NO
- operating pressure
- flow rate
- media
- media temperature
- ambient temperature
- nominal voltage

|                             | general specifications          |   | options                                   |
|-----------------------------|---------------------------------|---|---|
| <b>ports</b>                | MK                              | threads G 2   | special threads                           |
|                             | FK                              | flanges PN 16   | special flanges                           |
| <b>function</b>             |                                 | NC  | NO  |
| <b>pressure range</b>       | bar                             | 0-16  |   |
| <b>Kv value</b>             | m³/h                            | 28,2  |   |
| <b>vacuum</b>               | leak rate                       |   | < 10 <sup>-6</sup> mbar•l•s <sup>-1</sup> |
| <b>pressure-vacuum</b>      | P <sub>1</sub> ⇄ P <sub>2</sub> |   | upon request                              |
| <b>back pressure</b>        | P <sub>2</sub> > P <sub>1</sub> |   | available (max. 10 bar)                   |
| <b>media</b>                |                                 | gaseous - liquid - highly viscous - gelatinous - contaminated |   |
| <b>abrasive media</b>       |                                 |   | upon request                              |
| <b>damping</b>              | opening                         |   |   |
|                             | closing                         |   | available                                 |
| <b>flow direction</b>       | A ⇄ B                           | as marked   | bi-directional (max. 10 bar)              |
| <b>switching cycles</b>     | 1/min                           | 40  |   |
| <b>switching time</b>       | ms                              | opening 400 closing 400                                       |   |
| <b>media temperature</b>    | °C                              | DC: -20 to +80<br>AC: -20 to +80                              | -20 to +120<br>-20 to +120                |
| <b>ambient temperature</b>  | °C                              | DC: -20 to +80<br>AC: -20 to +80                              |   |
| <b>limit switches</b>       |                                 |   | inductive                                 |
| <b>manual override</b>      |                                 |   | available                                 |
| <b>approvals</b>            |                                 |   | LR/GL/WAZ                                 |
| <b>mounting</b>             |                                 |   | mounting brackets                         |
| <b>weight</b>               | kg                              | MK 25,5 FK 31,0   |   |
| <b>additional equipment</b> |                                 |   | upon request                              |

**⚠** The valves' technical design is based on media and application requirements. This can lead to deviations from the general specifications shown on the data sheet with regards to the design, sealing materials and characteristics.

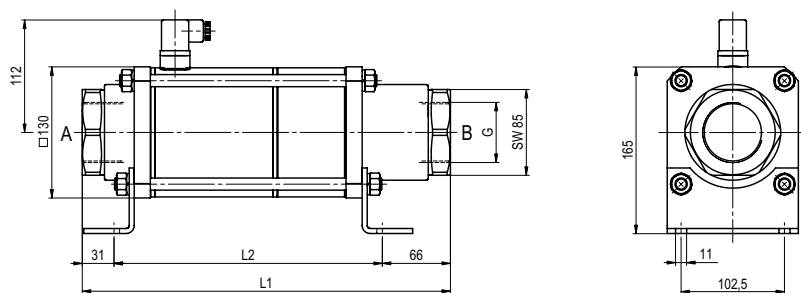
**⚠** If order or application specifications are incomplete or imprecise there exists a risk of an incorrect technical design of the valve for the required application. As a consequence, the physical and / or chemical properties of the materials or seals used, may not be suitable for the intended application.

|                                      | electrical specifications |  | options                                    |
|--------------------------------------|---------------------------|--|--|
| <b>nominal voltage</b>               | U <sub>n</sub>            | 24 V DC  | special voltage upon request               |
|                                      | U <sub>n</sub>            | 230 V 40-60 Hz AC  | special voltage upon request               |
| <b>actuation</b>                     | DC                        | direct-current magnet  |  |
|                                      | AC                        | direct-current magnet with integrated rectifier                              | above 100°C with separate rectifier        |
| <b>insulation rating</b>             | H                         | 180°C  |  |
| <b>protection</b>                    | IP65                      |  |  |
| <b>energized duty rating</b>         | ED                        | 100%   |  |
| <b>connection</b>                    |                           | plug acc. DIN EN 175301-803 form A, 4 positions x 90° / wire diameter 6-8 mm | terminal box M16x1,5                       |
| <b>optional additional equipment</b> |                           |  | illuminated plug with varistor             |
| <b>current consumption</b>           | N-coil                    | 24 V DC 2,80 A<br>230 V 40-60 Hz AC 0,33 A                                   |  |
|                                      | H-coil                    |  | 24 V DC 3,30 A<br>230 V 40-60 Hz AC 0,43 A |
| <b>explosion proof</b>               |                           |  |  |
| <b>limit switches</b>                |                           | inductive (I)<br>inductive (B)   | normally open-PNP<br>normally open-PNP     |

■ specifications not highlighted are standard  
■ specifications highlighted in grey are optional

# type MK 50

function: **NC**  
closed when not energized

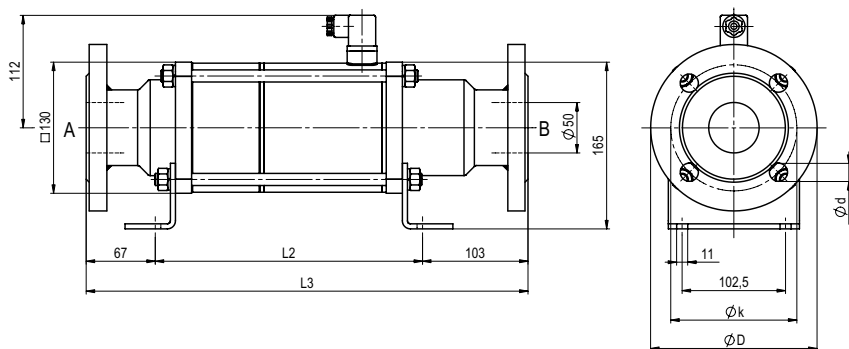


| constructive length   | L <sub>1</sub> | L <sub>2</sub> | L <sub>3</sub> |
|---|----------------|----------------|----------------|
| standard  | 365            | 268            | 438            |
| with 1/2 inductive limit switches                             | 365            | 268            | 438            |
| with manual emergency (Hd)/<br>Hd and 1/2 ind. limit switches | 365            | 268            | 438            |

| flanges PN | DIN  | øD  | øk  | ød |
|------------|------|-----|-----|----|
| 16         | 2633 | 165 | 125 | 18 |

# type FK 50

function: **NO**  
open when not energized



The application-specific layout relating to temperature, pressure conditions, switching behavior, media and its consistency may restrict the range of use or necessitate relevant modifications to materials used and seal arrangements.

Rights reserved to make technical alterations • Not responsible for printing errors • Detailed drawings can be obtained upon request