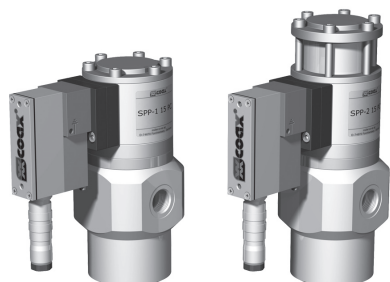
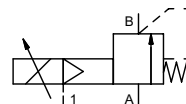


# pressure reduction valve

## type SPP-1 15 PC SPP-2 15 PC



**control valve proportional** externally controlled  
**pressure range** PN 0-80 bar  
**orifice** DN 15 mm  
**connection** thread/cartridge  
**function** stepless pressure regulation inline-version



**⚠** Above stated body materials refer to the valve port connections that get in contact with the media only!

**design** externally controlled with spring return  
**body materials** ① aluminium ④  
 ① brass ⑤  
 ③ ⑥ stainless steel  
**valve seat** synthetic resin on metal / metal on metal  
**seal materials** EPDM, PU, HNBR FPM

**details needed for main valve**

- orifice
- port
- pressure regulating range
- flow rate
- media
- media temperature
- ambient temperature

**details needed for proportional valve**

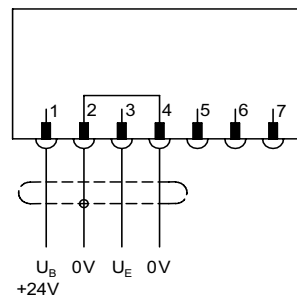
- nominal voltage
- actuation pressure range min/max

general specifications		options
<b>ports</b>	SPP-1 with valve body G 1/2 - G 3/4 SPP-2 with valve body G 1/2 - G 3/4	without valve body without valve body
<b>function</b>	stepless regulation	
<b>pressure regulation range</b>	SPP-1 5-40	SPP-2 5-80
<b>Kv value</b>	m <sup>3</sup> /h max. 6,0	
<b>media</b>	gaseous - liquid - highly viscous - contaminated	
<b>abrasive media</b>		version available
<b>flow direction</b>	A ⇌ B as marked	
<b>operating time</b>	ms < 200	
<b>media temperature</b>	°C 0 to +60	
<b>ambient temperature</b>	°C 0 to +50	
<b>approvals</b>		WAZ
<b>mounting</b>		mounting holes
<b>weight</b>	kg SPP-1 4,2 SPP-2 4,5	SPP-1 3,1 SPP-2 3,4
<b>additional equipment</b>		

electrical specifications		options
<b>nominal voltage</b>	U <sub>B</sub> DC 24 V (max. residual ripple 10%)	
<b>power consumption</b>	DC < 0,7 A	
<b>control signals</b>	U <sub>E</sub> 0-10 V (R <sub>e</sub> 10KΩ)	
<b>protection</b>	IP65 acc. DIN 40 050	
<b>energized duty rating</b>	ED 100% (observe the connection conditions accordingly)	
<b>connection</b>	plug with 7 contacts / wire diameter 6-8 mm	

pneumatic specifications		options
<b>actuation pressure range</b>	bar see actuation pressure-diagram	
<b>air consumption</b>	DIN ISO 8573-1 grade of compressed air quality 5/4/3	
<b>control</b>	by 3/2-way proportional valve	
<b>actuator ports</b>	1 G 1/8	

**connection plan**



**connection conditions**

When supplying the electrical set point signal to the proportional valve, the actuating air must already be present. (see actuation pressure-diagram)

**position of installation**

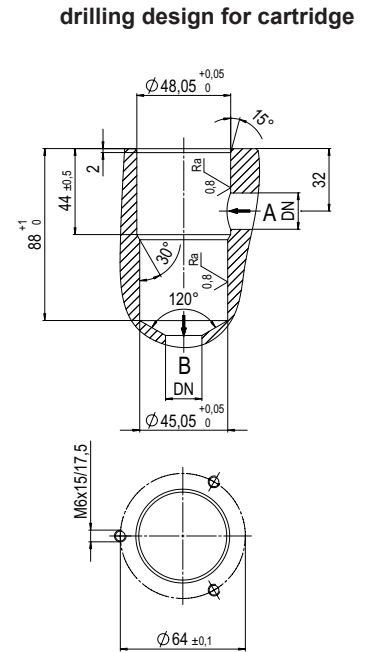
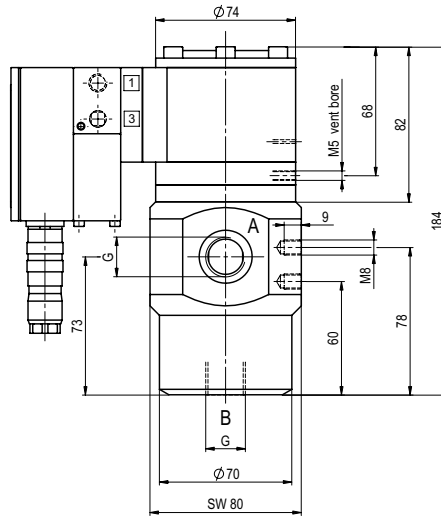
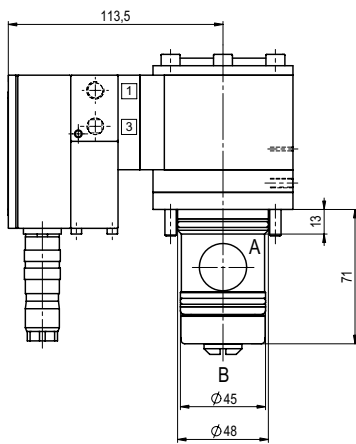
arbitrarily, but regulator not downwards

**⚠** The valves' technical design is based on media and application requirements. This can lead to deviations from the general specifications shown on the data sheet with regards to the design, sealing materials and characteristics.

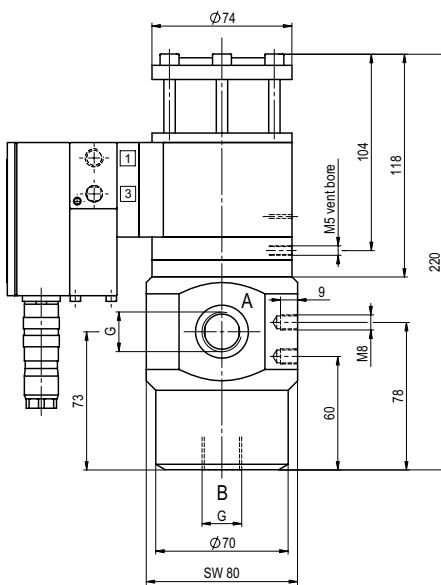
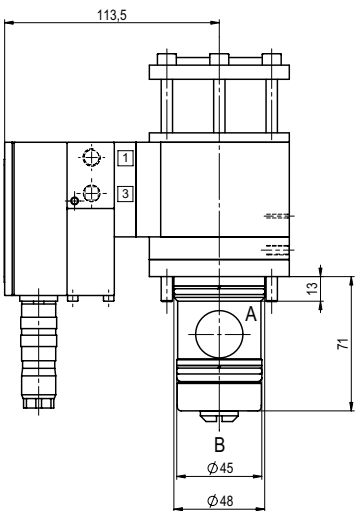
**⚠** If order or application specifications are incomplete or imprecise there exists a risk of an incorrect technical design of the valve for the required application. As a consequence, the physical and / or chemical properties of the materials or seals used, may not be suitable for the intended application.

■ specifications not highlighted are standard  
 ■ specifications highlighted in grey are optional

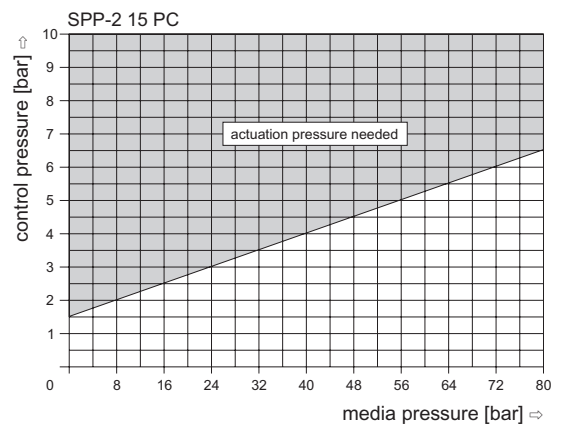
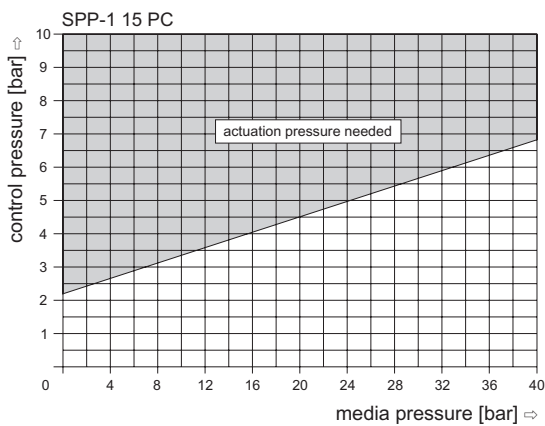
# type SPP-1 15 PC



# type SPP-2 15 PC



## actuation pressure-diagram



The application-specific layout relating to temperature, pressure conditions, switching behavior, media and its consistency may restrict the range of use or necessitate relevant modifications to materials used and seal arrangements.

Rights reserved to make technical alterations • Not responsible for printing errors • Detailed drawings can be obtained upon request