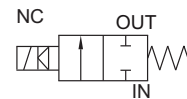


TANK MOUNTED PULSE JET SOLENOID VALVE

TYPE	PRESSURE

TYPE	PRESSURE

TYPE	PRESSURE
24114	0.5 - 8.5 bar
24114B	0.5 - 8.5 bar



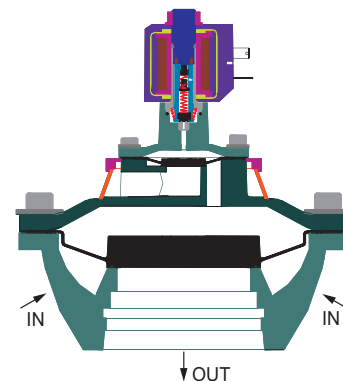
FEATURES

- Pulse jet valve with two diaphragm designed for large flow, fast ON and OFF response
- Larger exhaust area for reducing noise
- Solenoid capable of turning 360°
- Tank mounted



WETTED PARTS

Code	※
Body and Internals	Aluminium Die Cast
Guide Assembly	SS 304
Shadow-Ring	Copper
Plunger, Insert	SS 430
Diaphragm	Hytrel, Viton
Fasteners	SS 304
Seat, Seals	NBR, Viton



SPECIFICATION

FLOW FACTOR				
SIZE	1 1/2"	2"	2 1/2"	3"
(kv) lpm	800	1000	1560	2000

RESPONSE TIME 30 ms
MINIMUM ELECTRICAL PULSE 50 ms

AMBIENT TEMPERATURE

5 °C to 85 °C

FLUID TEMPERATURE

5 °C to 85 °C

SPECIAL VERSION AND SUFFIX

Suffix : (Valve) AM, WO
Special version : (Solenoid) CO, FR, SS

PORT CONNECTION

FUNCTION	INLET	OUTLET
NC	2	1

Contact Rotex for
• Any other ambient, fluid temperature, media and application



11

SPARES

(Refer page 25 for ordering code)

SPARE KIT	CODE
Diaphragm Kit : Diaphragm Set	100
Seal Kit : Oring Set Diaphragm, Plunger Assembly	98
Repair Kit : Oring Set, Diaphragm, Plunger Assembly, Fastener, Springs	99
Solenoid Kit : Solenoid, Gasket and Nut	34

APPROVAL

(※ applied for)

Approval	Nema 4X	IP67	Ex d IIC T4 or T5 or T6 IP66	Ex ia IIC T6 IP67	DGMS	CCOE
		✓	✓	✓	✓	✓
CE		✓	✓	✓		
UL	✓		*			
			✓	✓		
			✓	✓		
			✓	✓		

TANK MOUNTED PULSE JET SOLENOID VALVE

SPECIFICATION

PORT CONNECTION		PRE-SSURE bar		ORIFICE (mm)	FLOW FACTOR kv (LPM OF WATER @ 1 bar ΔP)	VALVE TYPE	PILOT PRESSURE	BODY MATERIAL AND INTERNALS						SEALS					MANUAL OVERRIDE		SOLENOID ENCLOSURE		SUFFIX		POWER VA		CONSTRUCTION REFERENCE NUMBER		
SIZE	SUBBASE	MINIMUM	MAXIMUM					ALUMINIUM	ALUMINIUM + SS	BRASS (STD. PORT NPT)	SS 316 (CF8M)	(STD. PORT NPT)	NBR	Viton	EPDM	HYTREL	PTFE	NIL	STAYPUT CUM MOMENTARY	FLYING LEAD	PLUG IN, IP67	SQ. PLUG IN, IP67	TERMINAL BOX IP67	FPJB	Ex d IIC, T4 OR T6, IP67	LARGE ENCLOSURE		SOLENOID SIZE	OXYGEN
INTEGRAL PILOT																													
11/2"	SB	0.5	8.5	52	800	24114		*					*					22	T	E	14					18	12	8	P15
11/2"	SB	0.5	8.5	52	800	24114B		*					*					22	T	E	14					18	12	8	P15
2"	SB	0.5	8.5	52	1000	24114		*					*					22	T	E	14					18	12	8	P15
2"	SB	0.5	8.5	52	1000	24114B		*					*					22	T	E	14					18	12	8	P15
2 1/2"	SB	0.5	8.5	65	1560	24114		*					*					22	T	E	14					18	12	8	P15
2 1/2"	SB	0.5	8.5	65	1560	24114B		*					*					22	T	E	14					18	12	8	P15
3"	SB	0.5	8.5	80	2000	24114		*					*					22	T	E	14					18	12	8	P15
3"	SB1	0.5	8.5	80	2000	24114B		*					*					22	T	E	14					18	12	8	P15

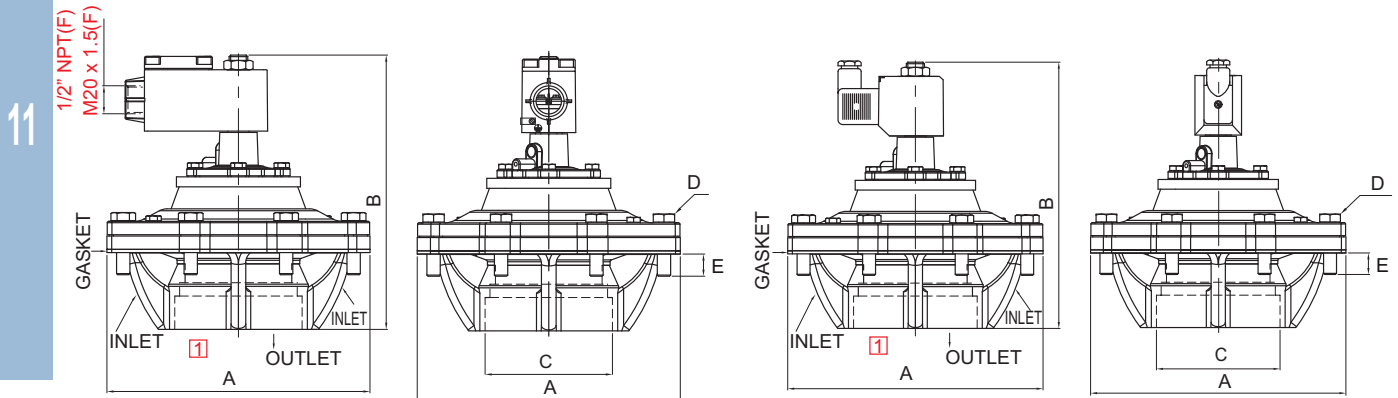
Cable Entry T E * = Do not specify when opted for
M20 x 1.5 19 39
1/2" NPT 16 37

ORDERING CODE, EXAMPLE VALVE + SOLENOID

TYPE – PORT CONNECTION – BODY AND INTERNALS – SEAL –
VOLTAGE – CURRENT – SOLENOID ENCLOSURE – APPROVAL – INSULATION
e.g. 24114-80-5B+220V 50Hz-16.

DIMENSIONS All Dimensions are in mm

CONSTRUCTION REFERENCE P15



TERMINAL BOX/ Ex d/ LARGE ENCLOSURE, TYPE 16, 19, 37, 39

PLUG IN SOLENOID TYPE 22/ 25

ΧΑΙΣΧΟΑΪΥΟ	ΡΥ	ϸΕ	Ó	Ô	Ö	Ò
G FFI	ι€	FJĪ	ǪĒ	ΗΑΪΩ	T Fει Ī	FĪ
G FFI Ó	ι€	FJĪ	ǪĒ	ΗΑΪΩ	T FεγǪ	FF
G FFI	ĪĪ	FĪĪ	FJH	ΓΑΪΒΑΪΩ	T ĪεǪ	εĪ
G FFI Ó	ĪĪ	FĪĪ	FJH	ΓΑΪΒΑΪΩ	T ĪεFĪ	FF
G FFI	ĪG	FĪĪ	FĪJ	ΓΑΪΩ	T ĪεHE	εĪ
G FFI Ó	ĪG	FĪĪ	FĪJ	ΓΑΪΩ	T ĪεFĪ	FG
G FFI	ĪG	FĪĪ	FĪJ	ΓΑΪΒΑΪΩ	T ĪεHE	εĪ
G FFI Ó	ĪG	FĪĪ	FĪJ	ΓΑΪΒΑΪΩ	T ĪεFĪ	FG