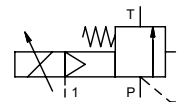


# pressure limitation valve

## type **SPB-S 32**



**control valve proportional** externally controlled  
**pressure range** PN 5-64 bar  
**orifice** DN 32 mm  
**connection** thread  
**function** stepless pressure regulation bypass version



**⚠** Above stated body materials refer to the valve port connections that get in contact with the media only!

**design** externally controlled with spring return  
**body materials** ① ④  
 ② steel, galvanized ⑤  
 ③ ⑥  
**valve seat** metal on metal  
**seal materials** FPM, PTFE

**details needed for main valve**

- orifice
- port
- pressure regulating range
- flow rate
- media
- media temperature
- ambient temperature

**details needed for proportional valve**

- nominal voltage
- actuation pressure range min/max

general specifications		options
ports	SPB threads G 1 1/2	SAE connection DIN ISO 6162
function	stepless regulation	
pressure regulation range	bar 5-64	
Kv value	m <sup>3</sup> /h 24,0	
media	liquid - highly viscous - contaminated	
abrasive media		
flow direction	P ⇄ T as marked	
operating time	ms < 900	
media temperature	°C 0 to +60	
ambient temperature	°C 0 to +50	
approvals		
mounting	mounting holes	
weight	kg 8,4	
additional equipment		

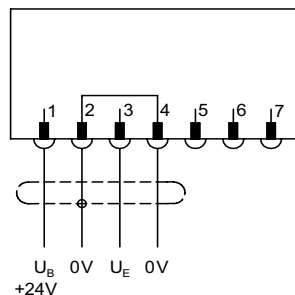
electrical specifications		options
nominal voltage	U <sub>B</sub> DC 24 V (max. residual ripple 10%)	
power consumption	DC < 0,7 A	
control signals	U <sub>E</sub> 0-10 V (R <sub>e</sub> 100KΩ)	
protection	IP65 acc. DIN 40 050	
energized duty rating	ED 100% (observe the connection conditions accordingly)	
connection	plug with 7 contacts / wire diameter 6-8 mm	

pneumatic specifications		options
actuation pressure range	bar see actuation pressure-diagram	
air consumption	DIN ISO 8573-1 grade of compressed air quality 5/4/3	
control	by 3/2-way proportional valve	
actuator ports	1 G 1/8	

**⚠** The valves' technical design is based on media and application requirements. This can lead to deviations from the general specifications shown on the data sheet with regards to the design, sealing materials and characteristics.

**⚠** If order or application specifications are incomplete or imprecise there exists a risk of an incorrect technical design of the valve for the required application. As a consequence, the physical and / or chemical properties of the materials or seals used, may not be suitable for the intended application.

**connection plan**



**connection conditions**

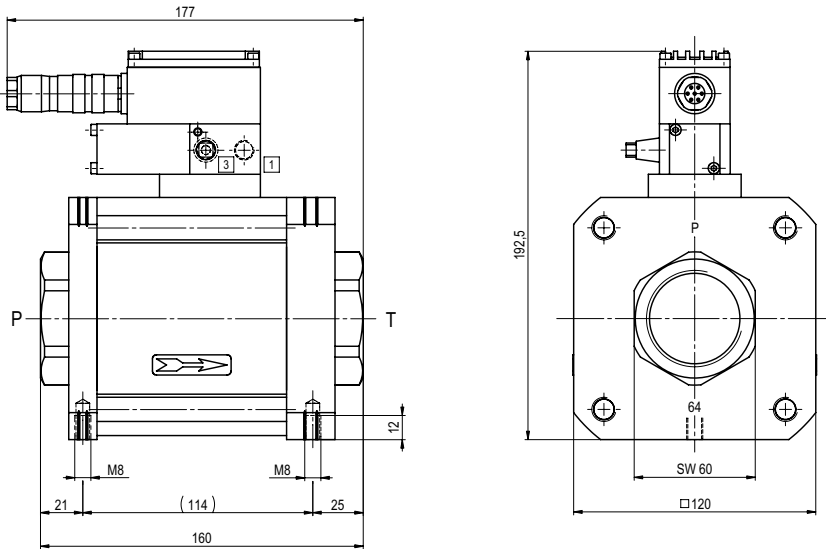
When supplying the electrical set point signal to the proportional valve, the actuating air must already be present. (see actuation pressure-diagram)

**position of installation**

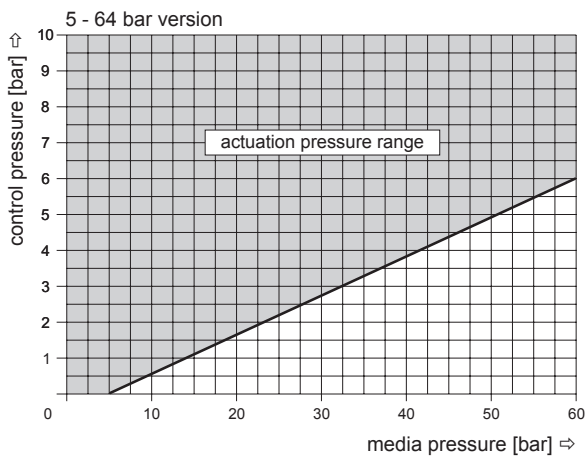
arbitrarily, but regulator not downwards

■ specifications not highlighted are standard  
 ■ specifications highlighted in grey are optional

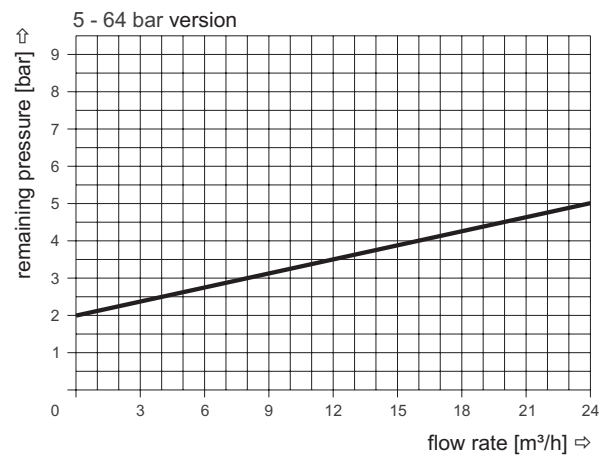
# type **SPB-S 32**



## actuation pressure-diagram



## pressureless circulation mode



**Sound creation during low pressure circulation mode and flow  $Q=24 \text{ m}^3/\text{h}$ : ca. 70 dbA**