

coaxial valve

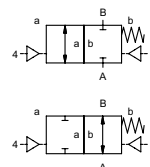
type MCF 08

5-MCF 08

valve type with pilot valve



2/2 way valve externally controlled
pressure range PN 0-100 bar
orifice DN 8 mm
connection thread
function valve normally closed symbol **NC**
 valve normally open symbol **NO**



⚠ Above stated body materials refer to the valve port connections that get in contact with the media only!

design pressure balanced, with spring return
body materials ① brass ②
 ③ ⑤
 ④ ⑥
valve seat synthetic resin on metal
seal materials NBR, FPM, PTFE

details needed for main valve

- orifice
- port
- function NC/NO
- operating pressure
- flow rate
- media
- media temperature
- ambient temperature
- type of actuation

details needed for pneumatic actuation

- nominal voltage
- type of protection
- actuation pressure range min/max
- low wattage coil, actuation pressure range 4-7 bar
- pilot valve type

⚠ The valves' technical design is based on media and application requirements. This can lead to deviations from the general specifications shown on the data sheet with regards to the design, sealing materials and characteristics.

⚠ If order or application specifications are incomplete or imprecise there exists a risk of an incorrect technical design of the valve for the required application. As a consequence, the physical and / or chemical properties of the materials or seals used, may not be suitable for the intended application.

■ specifications not highlighted are standard
 specifications highlighted in grey are optional

general specifications

options

ports	MCF	threads G 3/8	
function		NC	NO
pressure range	bar	0-100	
Kv value	m³/h	1,6	
vacuum	leak rate		< 10 ⁻⁶ mbar•l•s ⁻¹
pressure-vacuum	P ₁ ⇄ P ₂		pressure side max. 100 bar vacuum side leak rate upon request
back pressure	P ₂ > P ₁		available (max. 16 bar)
media		emulsions - oils - neutral gases	other medias upon request
abrasive media			
damping	opening		
	closing	by throttles on pilot valve	
flow direction	A ⇄ B	as marked	
switching cycles	1/min	600	
switching time	ms	opening 30-3000 closing 30-3000	
media temperature	°C	direct mounted pilot valve 60	>60°C upon request
ambient temperature	°C	direct mounted pilot valve 50	>50°C upon request
flush ports			
leak ports			
limit switches			reed, temperature range max 70°C
manual override		via pilot valve	
approvals			
mounting			mounting brackets
weight	kg	1,3	
additional equipment			

electrical specifications

options

nominal voltage	U _n	DC 24V	special voltage upon request
	U _n	AC 230V 40-60 Hz	special voltage upon request
power consumption	DC	4,8 W	2,5 W
	AC	pick up 11,0 VA holding 8,5 VA	
protection	IP 65 (P54)	acc. DIN 40 050	
energized duty rating	ED	100%	
connection		plug acc. DIN EN 175301-803 form B, 4 positions x 90° / wire diameter 6-8 mm	
additional equipment		illuminated plug with varistor	
optional		connector acc. DESINA	connector acc. VDMA
max. temperature	media	60°C	
	ambient	50°C	
explosion proof	EEx m II T5	nominal voltage U _n	direct current 24 V 3,25 W
		power consumption	alternating current 230 V 50 Hz 2,90 W

pneumatic specifications

options

actuation pressure range	bar	4-10	3-10 upon request
air consumption	cm³/stroke	4,5	
cycle speed		main valve speed variable by throttles on pilot valve	
control		preferably 5/2-way pilot valve	
pilot valve interface	co-ax		NAMUR VDI / VDE 3845
actuator ports	2/4	G 1/8	

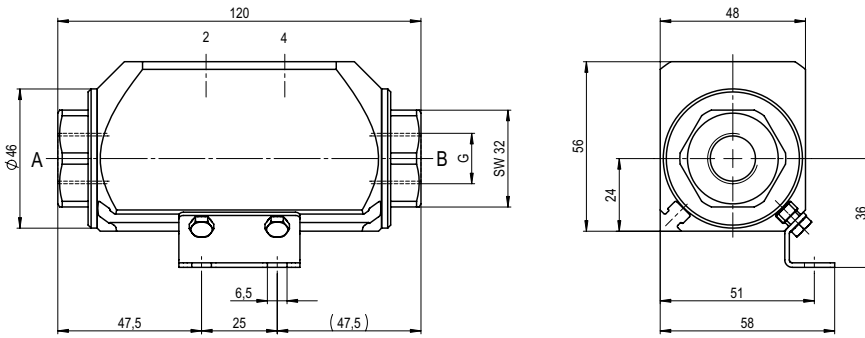
hydraulic specifications

options

actuation pressure range			
control			
actuator ports			

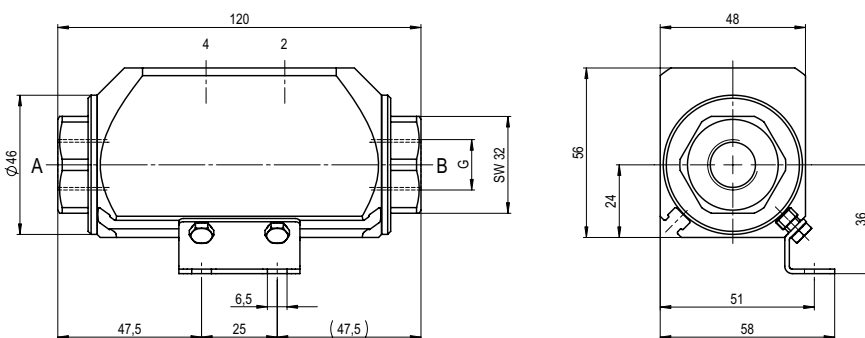
type MCF 08

function: **NC**
closed when not energized

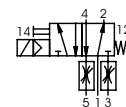


type MCF 08

function: **NO**
open when not energized



pneumatic actuation (separately)



5/2-way-pilot valve
flow rate 700 l/min
pressure range 3-10 bar G 1/8